

1 CANOPY PLAN

Scale: 3/4" = 1'-0"

Canopy Type:

Architect:


Drawn:

**Mapes Architectural Canopies**

7748 N. 56th St.  
Lincoln, NE. 68514-9724  
Ph: (888) 273-1132  
Fx: (877) 455-6572  
email: cad@mapes.com

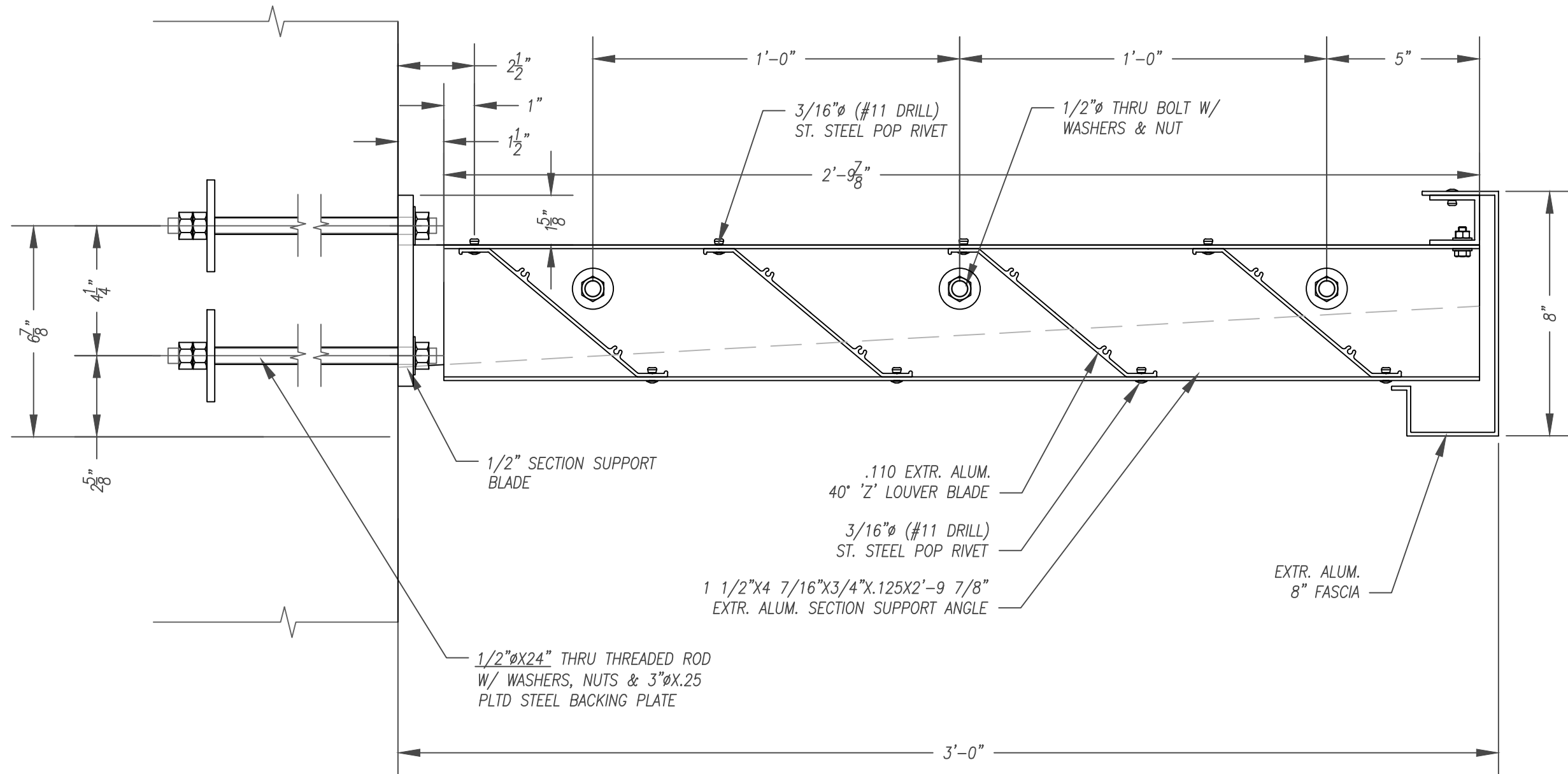
Proposed for:  
( )

Job Name:  
/

PO # dtd  
MQ # Rep:

	sheet:
Apr. 27, 16	01
3/4" = 1'-0"	of 4

ADDITIONAL BLOCKING AND BRACING AT CANOPY CONNECTION POINTS TO ADEQUATELY HANDLE CANOPY LOADS TO BE SUPPLIED, FABRICATED & INSTALLED BY OTHERS



AA

SECTION @ HANGER BLADE

Scale: 3" = 1'-0"

Canopy Type:

Architect:

Drawn:

**Mapes  
Architectural  
Canopies**

7748 N. 56th St.  
Lincoln, NE. 68514-9724  
Ph: (888) 273-1132  
Fx: (877) 455-6572  
email: cad@mapes.com

Proposed for:

( )

Job Name:

/

PO # dtd  
MQ #

Rep:

sheet:

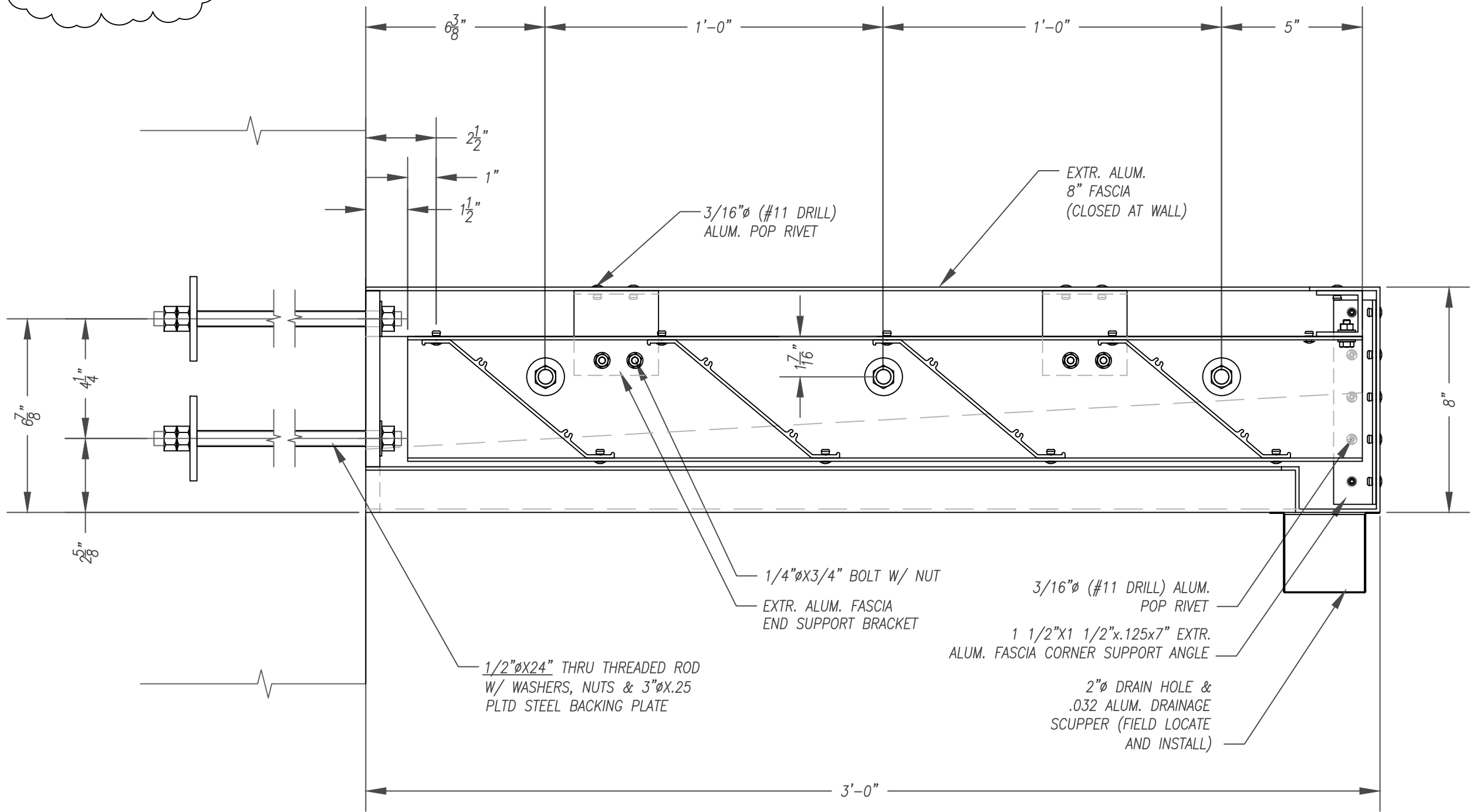
Apr. 27, 16

02

3" = 1'-0"

of 4

ADDITIONAL BLOCKING AND BRACING AT CANOPY CONNECTION POINTS TO ADEQUATELY HANDLE CANOPY LOADS TO BE SUPPLIED, FABRICATED & INSTALLED BY OTHERS



**BB** SECTION @ END CANOPY

Scale: 3" = 1'-0"

Canopy Type:

Architect:


Drawn:

**Mapes Architectural Canopies**

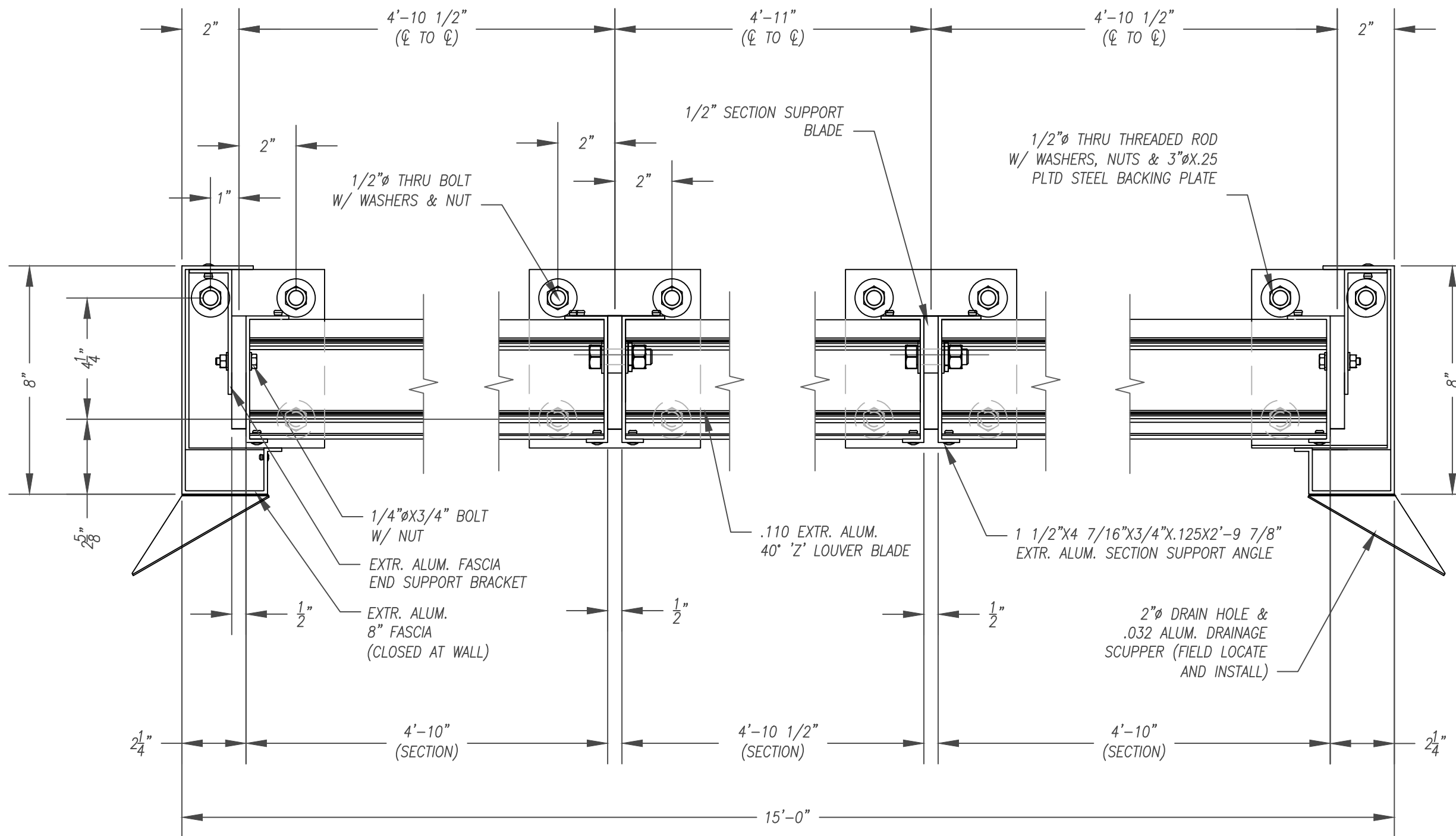
7748 N. 56th St.  
Lincoln, NE. 68514-9724  
Ph: (888) 273-1132  
Fx: (877) 455-6572  
email: cad@mapes.com

Proposed for:  
( )

Job Name:  
/

PO # dtd  
MQ # Rep:

	sheet:
	03
Apr. 27, 16	of 4
3" = 1'-0"	



**CC** TRANSVERSE SECTION

Scale: 3" = 1'-0"

Canopy Type:

Architect:

Drawn:

**Mapes**  
**Architectural**  
**Canopies**

7748 N. 56th St.  
 Lincoln, NE. 68514-9724  
 Ph: (888) 273-1132  
 Fx: (877) 455-6572  
 email: cad@mapes.com

Proposed for:

( )

Job Name:

/

PO # dtd  
 MQ #

Rep:

sheet:

Apr. 27, 16

04

3" = 1'-0"

of 4