

M8356 - RETAIL ENTRANCE CANOPY / FRONT CURVE STYLE

/

Canopy Type:

Architect:

Drawn:		

Mapes Architectural Canopies

7748 N. 56th St.
Lincoln, NE. 68514-9724
Ph: (888) 273-1132
Fx: (877) 455-6572
email: cad@mapes.com

Proposed for:

()

Job Name:
RETAIL ENTRANCE CANOPY
/ FRONT CURVE STYLE

PO # dtd
MQ #

Rep:

M8356

Aug. 5, 15

sheet:

01

of 6

General Notes:

1. ALL FASTENER HOLES NOT OTHERWISE NOTED ARE TO BE FIELD DRILLED
2. ALL FASTENERS NOT OTHERWISE NOTED ARE STAINLESS STEEL OR ALUMINUM
3. ADEQUACY OF WALL AND BUILDING STRUCTURE MUST BE CERTIFIED BY BUILDINGS ENGINEER OF RECORD
4. WALL SYSTEMS W/ EIFS, BRICK VENEER OR METAL PANEL EXTERIOR DESIGN TYPICALLY REQUIRE COMPRESSION SPACERS TO PREVENT CRUSHING, SUPPLIED BY MAPES
5. ADDITIONAL BLOCKING AND BRACING AT CANOPY CONNECTION POINTS TO ADEQUATELY HANDLE CANOPY LOADS TO BE SUPPLIED, FABRICATED & INSTALLED BY OTHERS
6. UNLESS OTHERWISE NOTED, ALL HANGER ROD ATTACHMENTS @ WALL ARE TO BE DESIGNED BY OTHERS
7. UNLESS OTHERWISE NOTED, ALL CANOPY ATTACHMENTS @ WALL ARE TO BE DESIGNED BY OTHERS

Project Notes:

1. SUPER LUMIDECK CANOPY – CURVED
2. 22'X5' PROJ (1)
3. 1" HANGER PIPE
4. FLAT SOFFIT DECKING (PERP)
5. 8" FASCIA
6. FASCIA DRAIN W/ SCUPPERS

Design Notes:

1. FINISH SHALL BE "CHOSEN BY CUSTOMER"
2. COUNTER FLASHING AND SEALANT, BY CANOPY INSTALLER
3. SURROUND WALL ANCHORS WITH WATER TIGHT SEALANT
4. EMBED ALL WALL ANCHOR WASHERS IN SEALANT TO PROVIDE WATERTIGHT SEAL AT WALL
5. TO ENSURE PROPER DRAINAGE, INSTALL CANOPY WITH POSITIVE CAMBER
6. FIELD DRILL DRAIN HOLES IN FASCIA @ DESIRED SCUPPER LOCATIONS

Drawing Schedule

Page #	Description
01	Cover
02	General Information
03	Canopy Plan
04	Section AA
05	Section BB
06	Section CC

Canopy Type:

Architect:

Drawn:

*Mapes
Architectural
Canopies*

7748 N. 56th St.
Lincoln, NE. 68514-9724
Ph: (888) 273-1132
Fx: (877) 455-6572
email: cad@mapes.com

Proposed for:

()

Job Name:
RETAIL ENTRANCE CANOPY
/ FRONT CURVE STYLE

PO # dtd
MQ #

Rep:

M8356

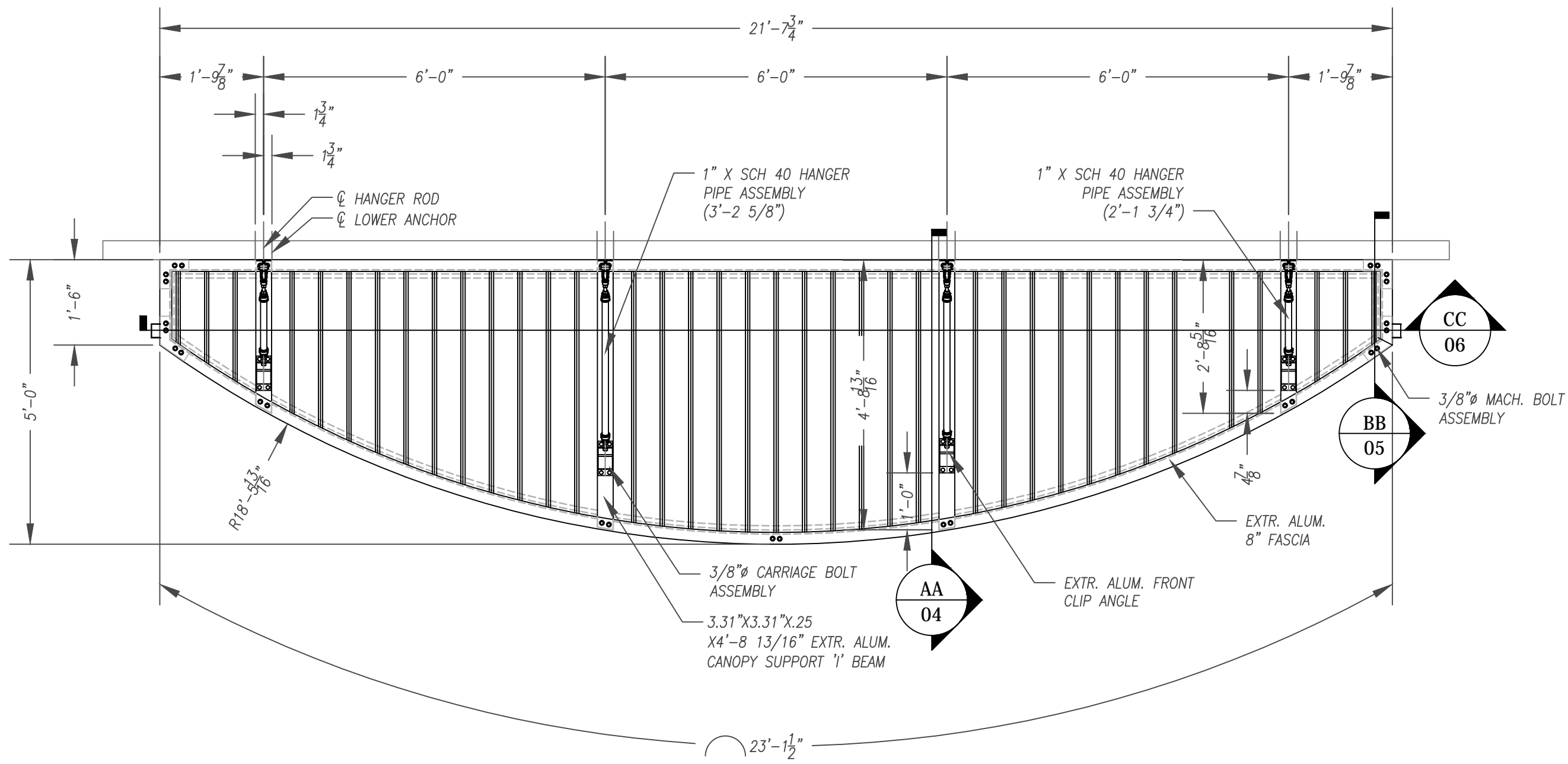
sheet:

Aug. 5, 15

02

of 6

ONE CANOPY
THUS



1 CANOPY PLAN
Scale: 1/2" = 1'-0"

Canopy Type:

Architect:

Drawn:

Mapes Architectural Canopies

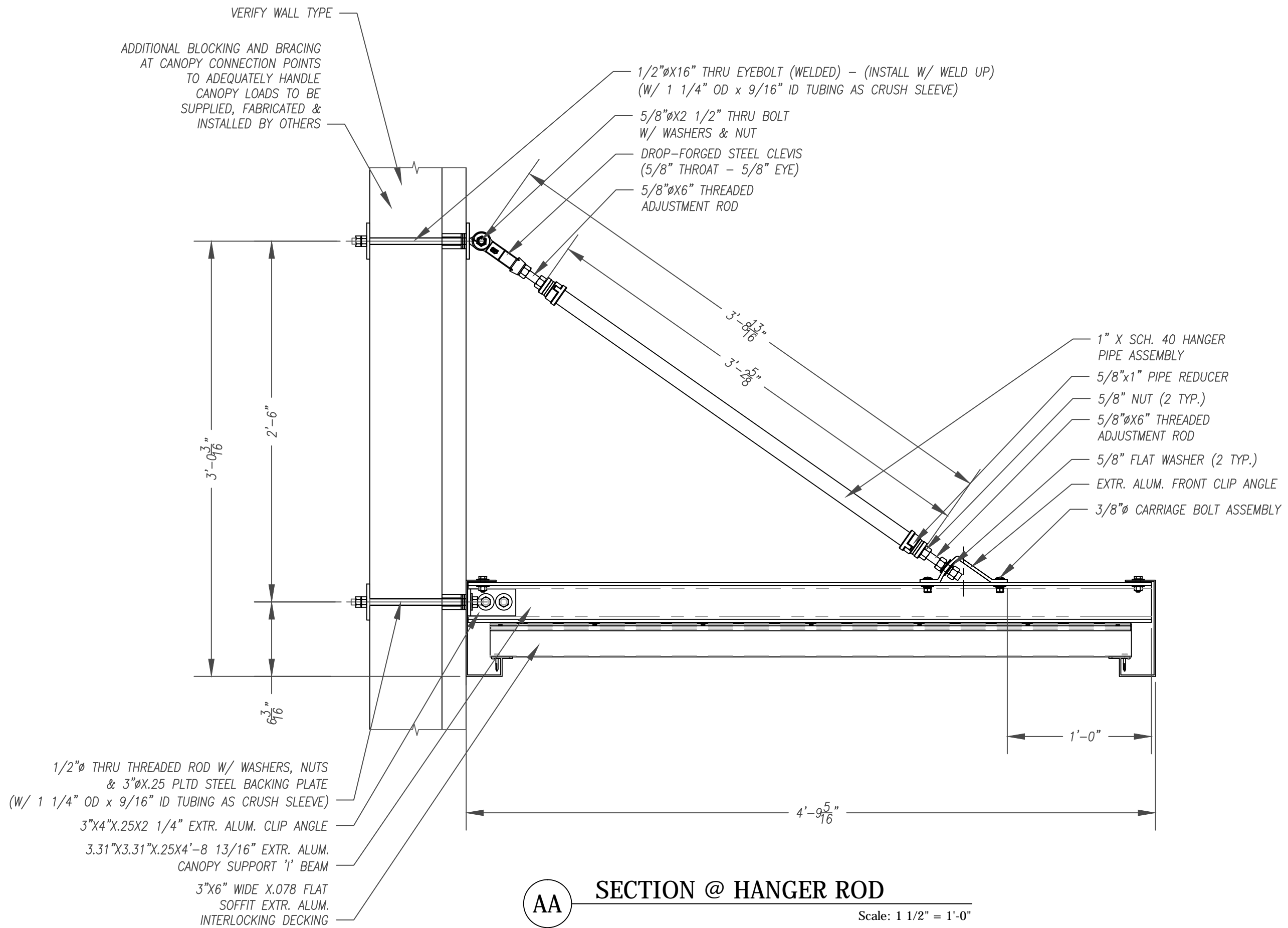
7748 N. 56th St.
Lincoln, NE. 68514-9724
Ph: (888) 273-1132
Fx: (877) 455-6572
email: cad@mapes.com

Proposed for:
()

Job Name:
RETAIL ENTRANCE CANOPY
/ FRONT CURVE STYLE

PO # dtd
MQ # Rep:

M8356	sheet:
Aug. 5, 15	03
1/2" = 1'-0"	of 6



AA

SECTION @ HANGER ROD

Scale: 1 1/2" = 1'-0"

Canopy Type:

Architect:

Drawn:

Mapes Architectural Canopies

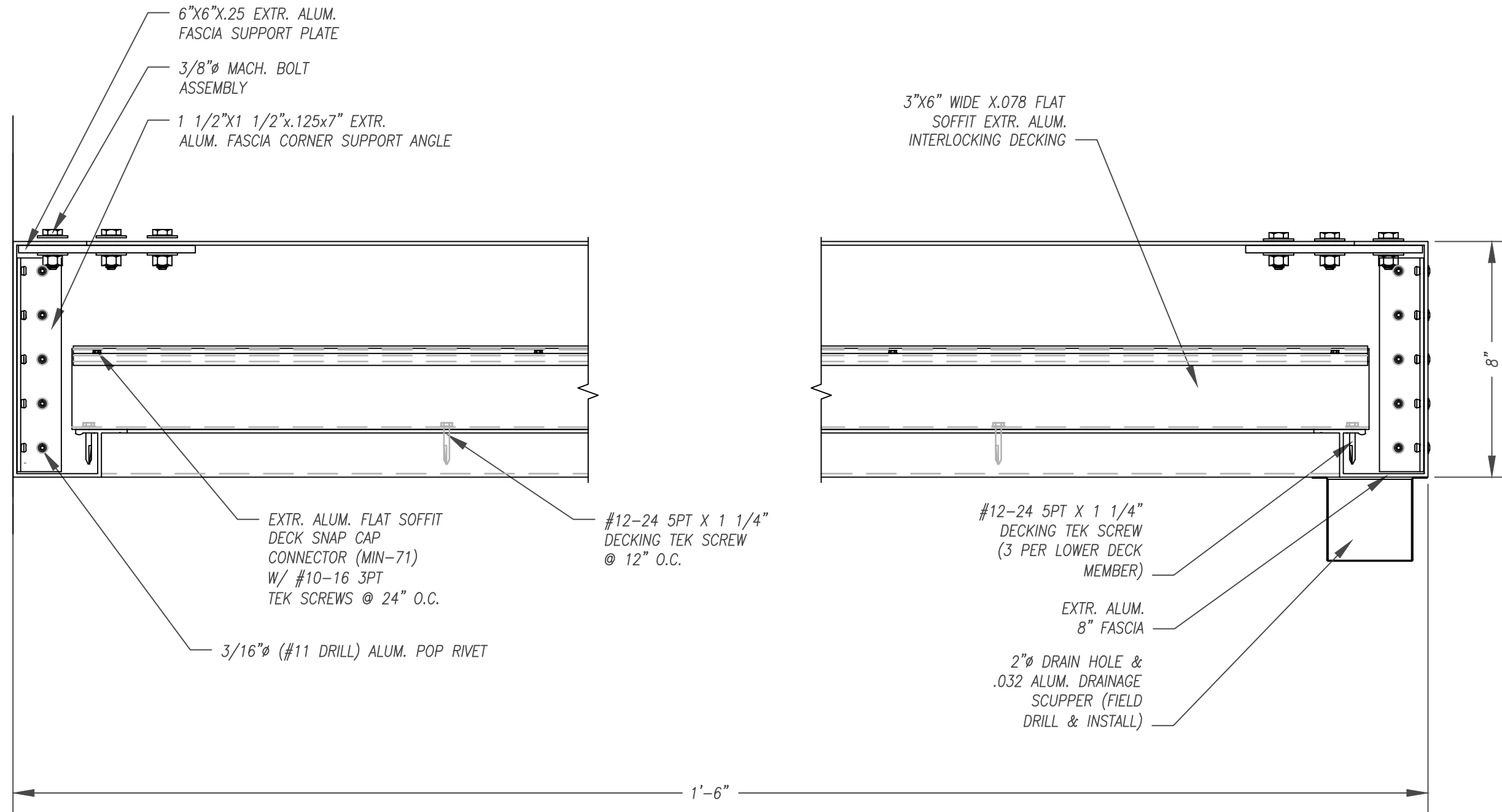
7748 N. 56th St.
Lincoln, NE. 68514-9724
Ph: (888) 273-1132
Fx: (877) 455-6572
email: cad@mapes.com

Proposed for:
()

Job Name:
RETAIL ENTRANCE CANOPY / FRONT CURVE STYLE

PO # dtd
MQ # Rep:

M8356	sheet:
Aug. 5, 15	04
1 1/2" = 1'-0"	of 6



BB SECTION @ END CANOPY

Scale: 3" = 1'-0"

Canopy Type:

Architect:

Drawn:

**Mapes
Architectural
Canopies**

7748 N. 56th St.
Lincoln, NE. 68514-9724
Ph: (888) 273-1132
Fx: (877) 455-6572
email: cad@mapes.com

Proposed for:

()

Job Name:
RETAIL ENTRANCE CANOPY
/ FRONT CURVE STYLE

PO # dtd
MQ #

Rep:

M8356

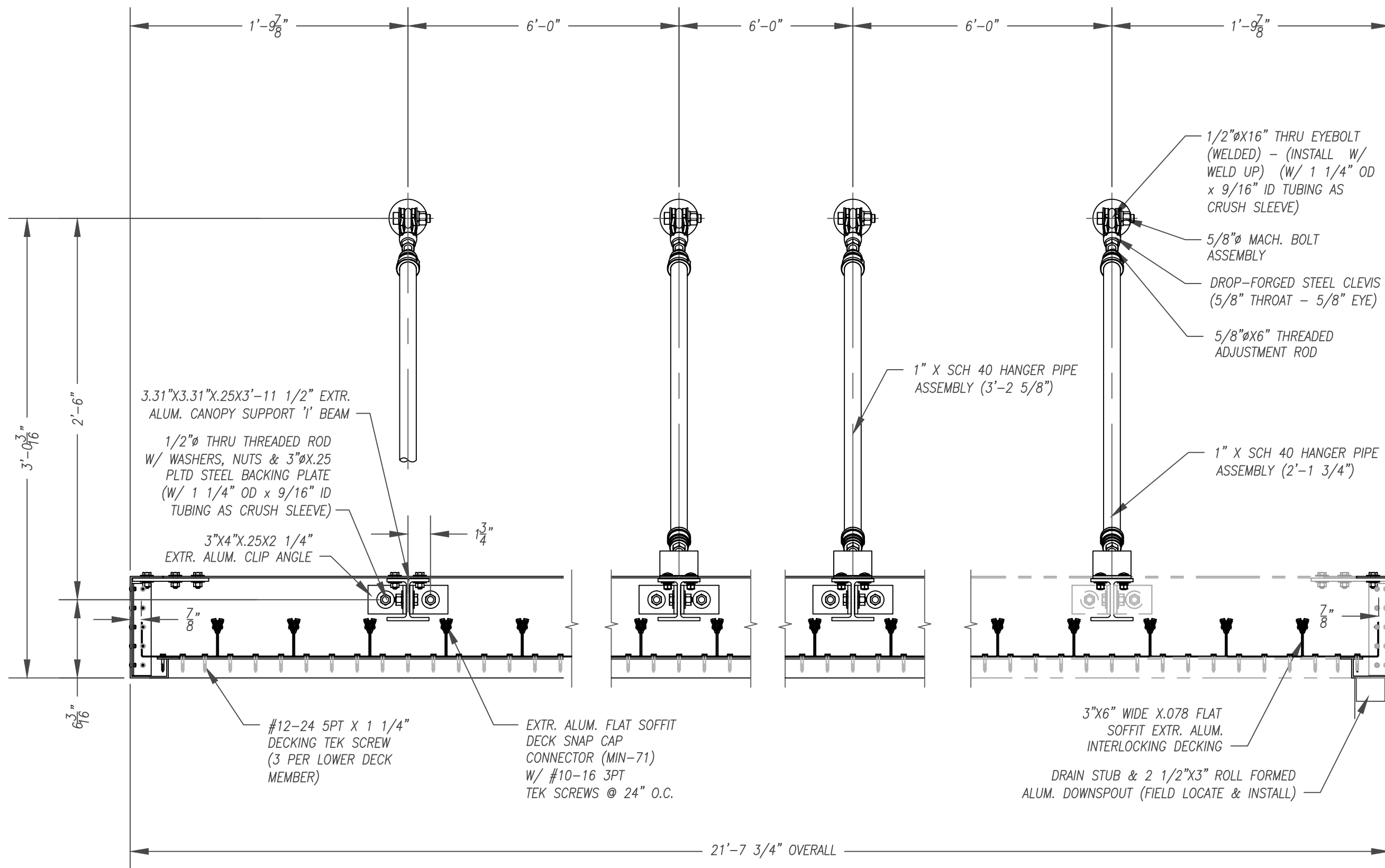
Aug. 5, 15

3" = 1'-0"

sheet:

05

of 6



- 1/2"ØX16" THRU EYEBOLT (WELDED) - (INSTALL W/ WELD UP) (W/ 1 1/4" OD x 9/16" ID TUBING AS CRUSH SLEEVE)
- 5/8"Ø MACH. BOLT ASSEMBLY
- DROP-FORGED STEEL CLEVIS (5/8" THROAT - 5/8" EYE)
- 5/8"ØX6" THREADED ADJUSTMENT ROD

Canopy Type:

Architect:

Drawn:

Mapes Architectural Canopies

7748 N. 56th St.
Lincoln, NE. 68514-9724
Ph: (888) 273-1132
Fx: (877) 455-6572
email: cad@mapes.com

Proposed for:
()

Job Name:
RETAIL ENTRANCE CANOPY / FRONT CURVE STYLE

PO # dtd Rep:
MQ #

M8356	sheet:
Aug. 5, 15	06
1 1/2" = 1'-0"	of 6

CC TRANSVERSE SECTION Scale: 1 1/2" = 1'-0"