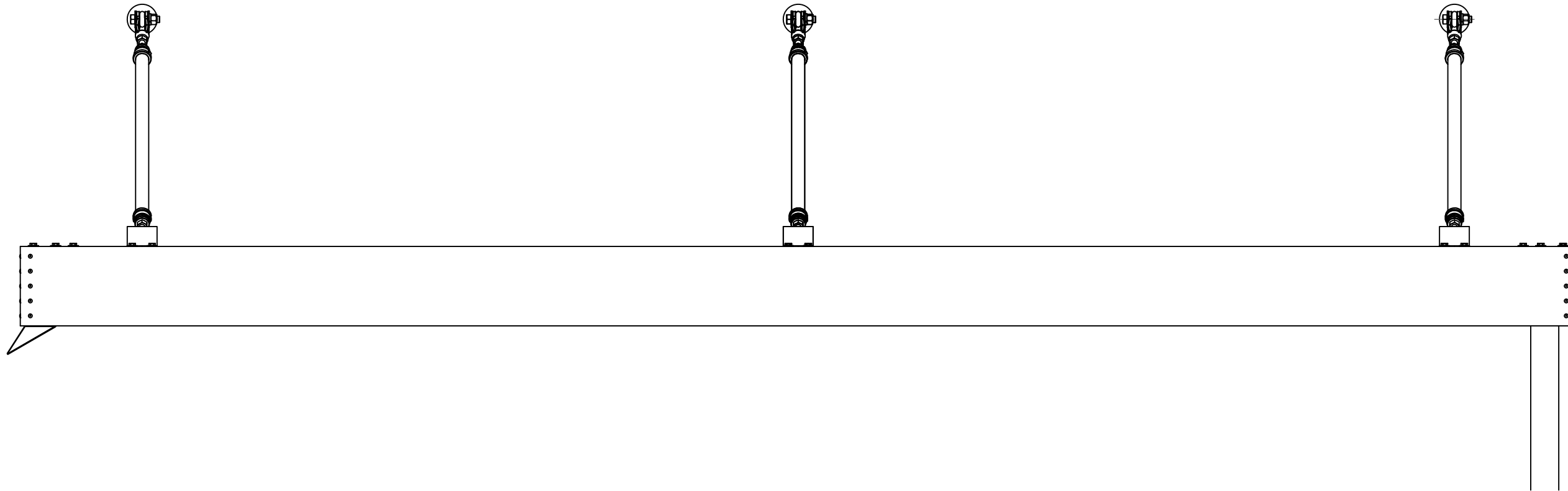


- SUPER LUMIDECK HANGER ROD CANOPY /
 FLAT SOFFIT (PERP) /



s:\web site cad files\details page\2007\super lumideck hanger rod canopy - flat soffit (perp) (2007)

Canopy Type:

Architect:

Drawn:		

*Mapes
 Architectural
 Canopies*

7748 N. 56th St.
 Lincoln, NE. 68514-9724
 Ph: (888) 273-1132
 Fx: (877) 455-6572
 email: cad@mapes.com

Proposed for:
 FLAT SOFFIT (PERP) ()

Job Name:
 SUPER LUMIDECK HANGER
 ROD CANOPY /

PO # dtd
 MQ # Rep:

	sheet:
	01
Jun. 29, 15	of 6

General Notes:

1. MAPES ARCHITECTURAL CANOPIES REQUIRES ONE (1) SET OF "ORIGINAL/COPIES" TO REVISE DRAWINGS, OR AN APPROVED SET OF "ORIGINAL/COPIES" IN ORDER TO FABRICATE ORDER
2. ORDERS REQUIRING ENGINEERING WILL "ONLY" BE FABRICATED "AFTER" STAMPED DRAWINGS ARE APPROVED
3. VERIFY ALL CANOPY AND FIELD DIMENSIONS PRIOR TO RELEASING FOR FABRICATION
4. ALL ORDERS NOT APPROVED FOR PRODUCTION WITHIN 90 DAYS OF PURCHASE ORDER ARE SUBJECT TO A REVIEW OF PRICING
5. ALL FASTENER HOLES NOT OTHERWISE NOTED ARE TO BE FIELD DRILLED
6. ALL FASTENERS NOT OTHERWISE NOTED ARE CADMIUM PLATED FERROUS OR ALUMINUM
7. ADEQUACY OF WALL AND BUILDING STRUCTURE MUST BE CERTIFIED BY BUILDINGS ENGINEER OF RECORD
8. WALL SYSTEMS W/ EIFS OR BRICK VENEER EXTERIOR DESIGN TYPICALLY REQUIRE COMPRESSION SPACERS TO PREVENT CRUSHING, SUPPLIED BY MAPES
9. ADDITIONAL BLOCKING AND BRACING AT CANOPY CONNECTION POINTS TO ADEQUATELY HANDLE CANOPY LOADS TO BE SUPPLIED, FABRICATED & INSTALLED BY OTHERS
10. UNLESS OTHERWISE NOTED, ALL HANGER ROD ATTACHMENTS @ WALL ARE TO BE DESIGNED BY OTHERS
11. UNLESS OTHERWISE NOTED, ALL CANOPY ATTACHMENTS @ WALL ARE TO BE DESIGNED BY OTHERS
12. SOME FIELD MODIFICATION OF CANOPY MEMBERS MAY BE REQUIRED, DEPENDING ON EXISTING SITE CONDITION

Project Notes:

1. SUPER LUMIDECK CANOPY
2. 1" HANGER PIPE
3. FLAT SOFFIT DECKING (PERP)
4. 8" FASCIA
5. FASCIA DRAIN W/ SCUPPERS / REAR DRAINAGE W/ DOWNSPOUT

<i>Drawing Schedule</i>	
<i>Page #</i>	<i>Description</i>
01	Cover
02	General Information
03	Canopy Plan
04	Section AA
05	Section BB
06	Section CC

Design Notes:

1. FINISH SHALL BE BRONZE BAKED ENAMEL, WHITE BAKED ENAMEL OR CLEAR ANODIZED
2. FINISH SHALL BE POWDER COAT
3. FINISH SHALL BE TWO COAT KYNAR
4. COLOR SHALL BE CHOSEN FROM MAPES STD SMOOTH COLOR CHART
5. COUNTER FLASHING AND SEALANT, BY CANOPY INSTALLER
6. SURROUND WALL ANCHORS WITH WATER TIGHT SEALANT
7. EMBED ALL WALL ANCHOR WASHERS IN SEALANT TO PROVIDE WATERTIGHT SEAL AT WALL
8. TO ENSURE PROPER DRAINAGE, INSTALL CANOPY WITH POSITIVE CAMBER
9. FASCIA DRAIN W/ SCUPPERS / REAR DRAINAGE W/ DOWNSPOUT

Canopy Type:

Architect:

Drawn:

**Mapes
Architectural
Canopies**

7748 N. 56th St.
Lincoln, NE. 68514-9724
Ph: (888) 273-1132
Fx: (877) 455-6572
email: cad@mapes.com

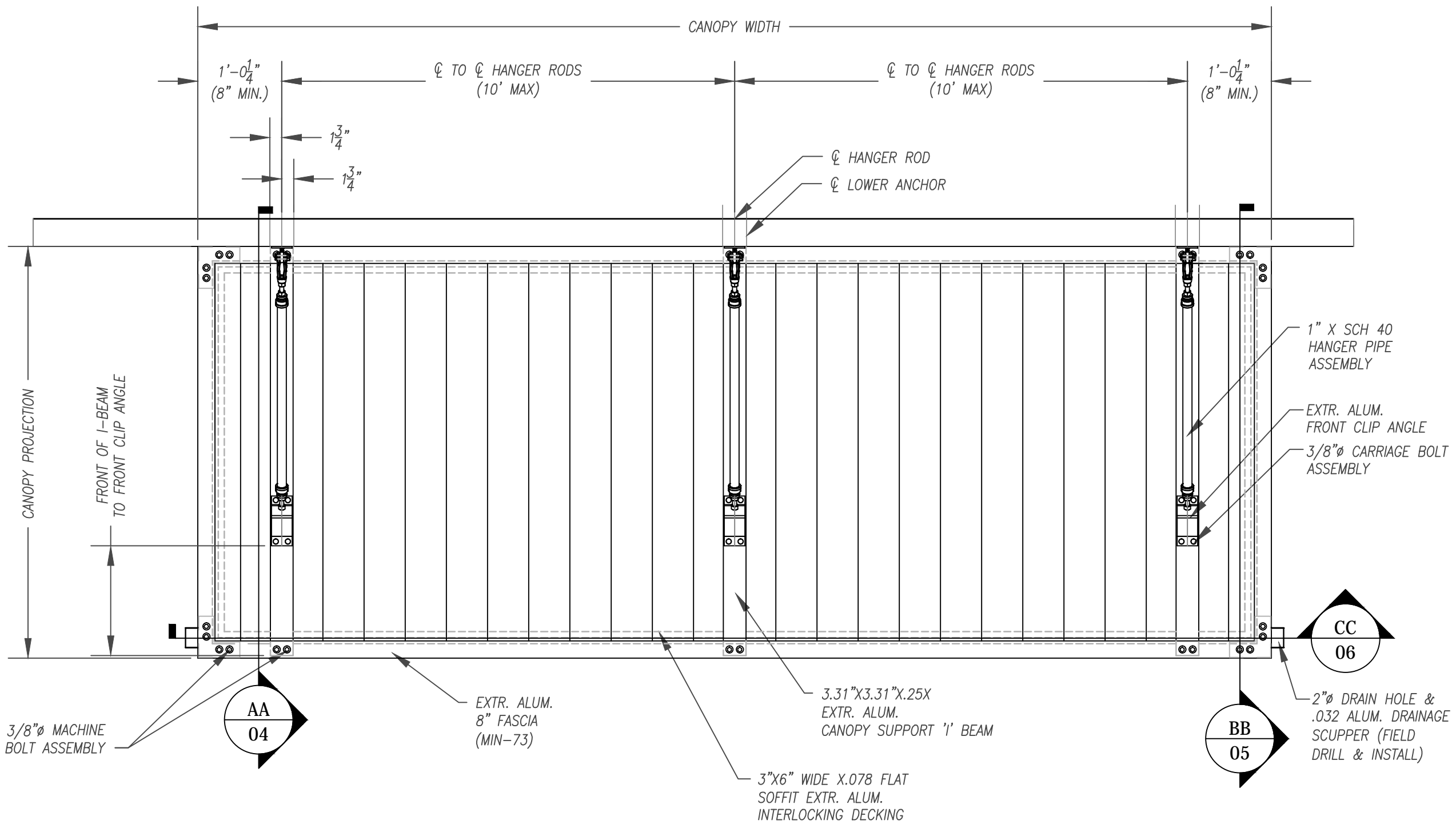
Proposed for:
FLAT SOFFIT (PERP) ()

Job Name:
SUPER LUMIDECK HANGER
ROD CANOPY /

PO # dtd
MQ # Rep:

	sheet:
	02
Jun. 29, 15	of 6

ONE CANOPY
THUS



1 CANOPY PLAN
Scale: 3/4" = 1'-0"

Canopy Type:

Architect:

Drawn:

Mapes Architectural Canopies

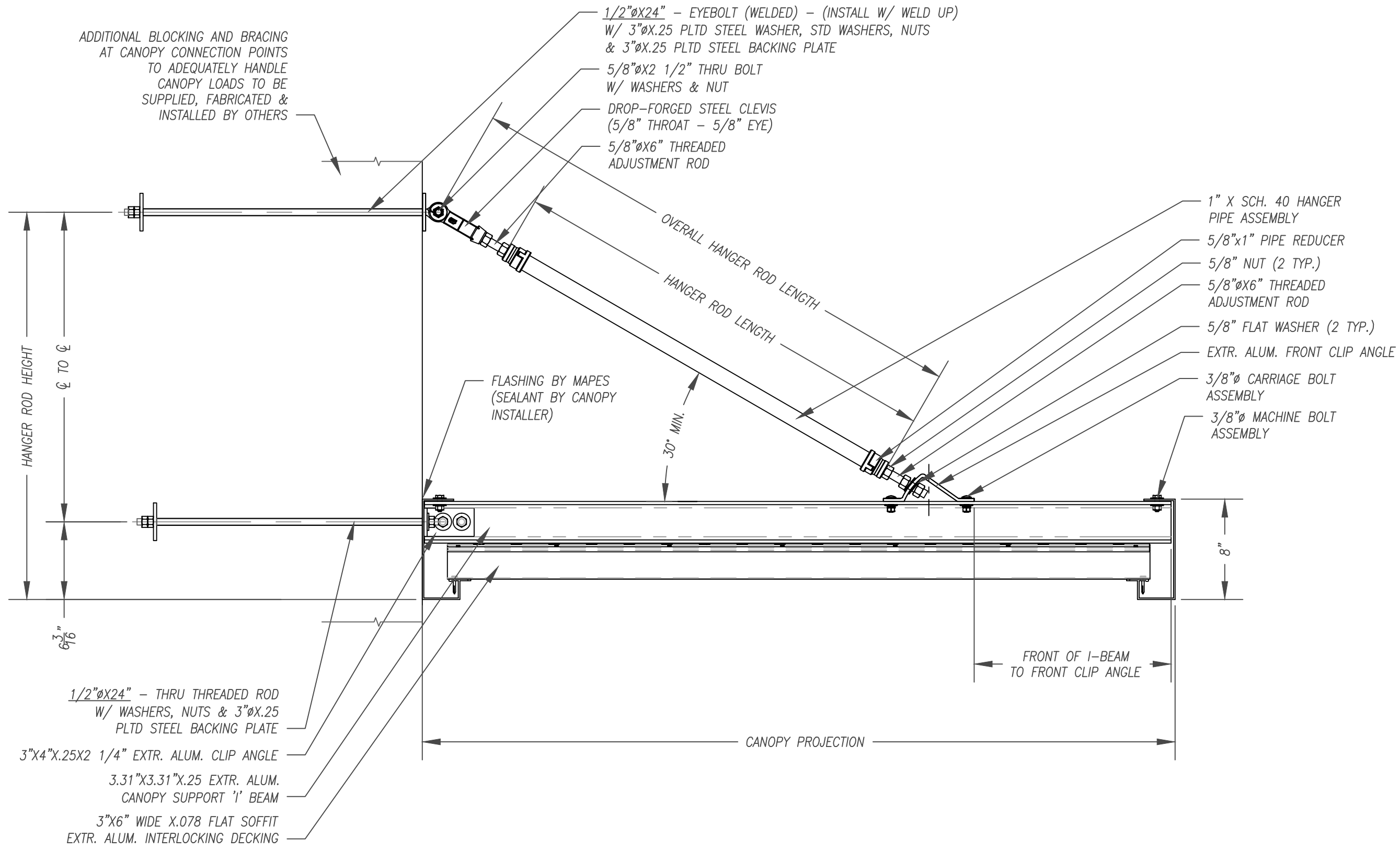
7748 N. 56th St.
Lincoln, NE. 68514-9724
Ph: (888) 273-1132
Fx: (877) 455-6572
email: cad@mapes.com

Proposed for:
FLAT SOFFIT (PERP) ()

Job Name:
SUPER LUMIDECK HANGER
ROD CANOPY /

PO # dtd
MQ # Rep:

	sheet:
	03
Jun. 29, 15	of 6
3/4" = 1'-0"	



AA SECTION @ HANGER ROD
Scale: 1 1/2" = 1'-0"

Canopy Type:

Architect:

Drawn:

Mapes Architectural Canopies

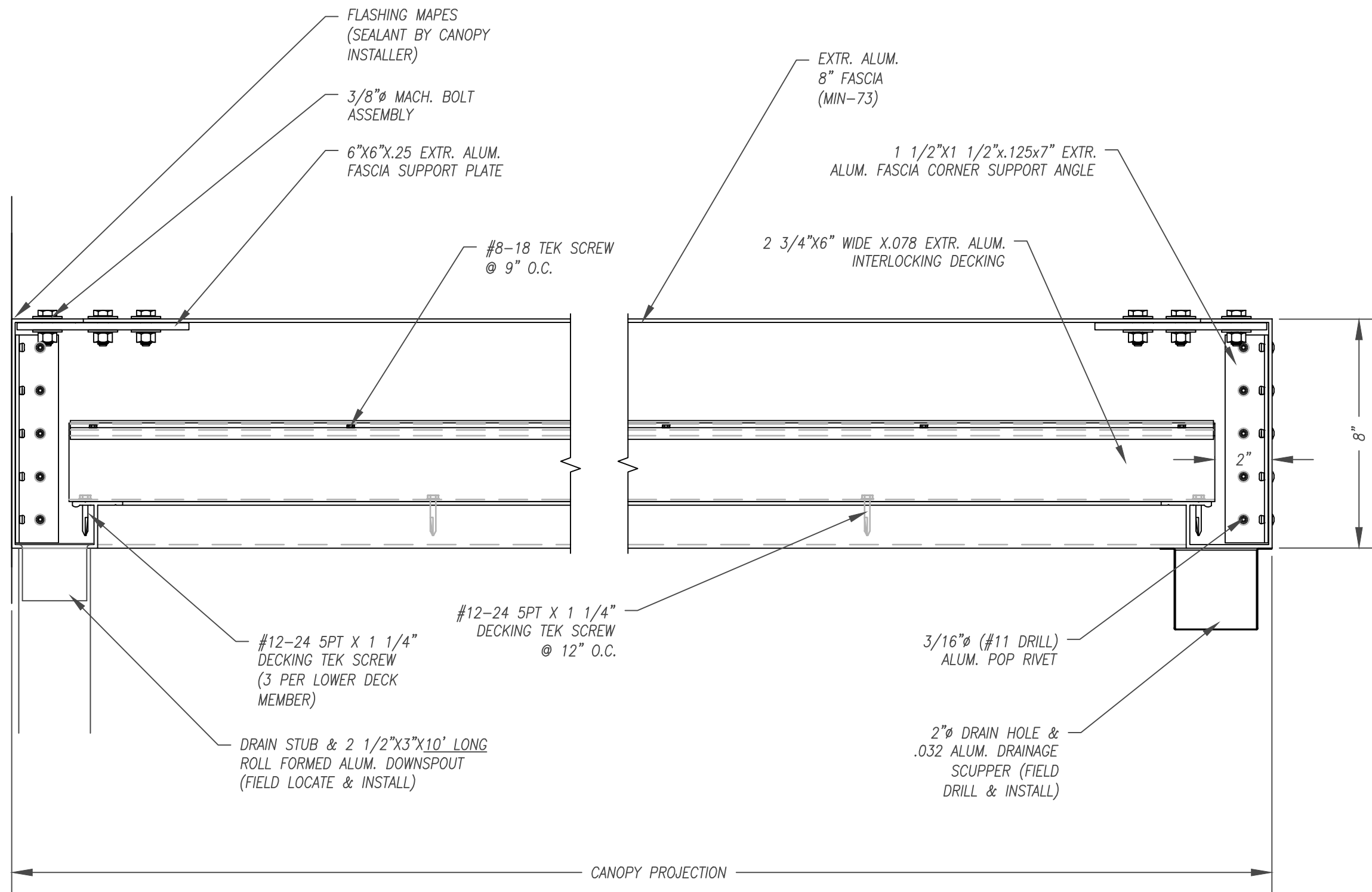
7748 N. 56th St.
Lincoln, NE. 68514-9724
Ph: (888) 273-1132
Fx: (877) 455-6572
email: cad@mapes.com

Proposed for:
FLAT SOFFIT (PERP) ()

Job Name:
SUPER LUMIDECK HANGER ROD CANOPY /

PO # dtd
MQ # Rep:

	sheet:
Jun. 29, 15	04
1 1/2" = 1'-0"	of 6



BB SECTION @ END CANOPY
 Scale: 3" = 1'-0"

Canopy Type:

Architect:

Drawn:

Mapes Architectural Canopies

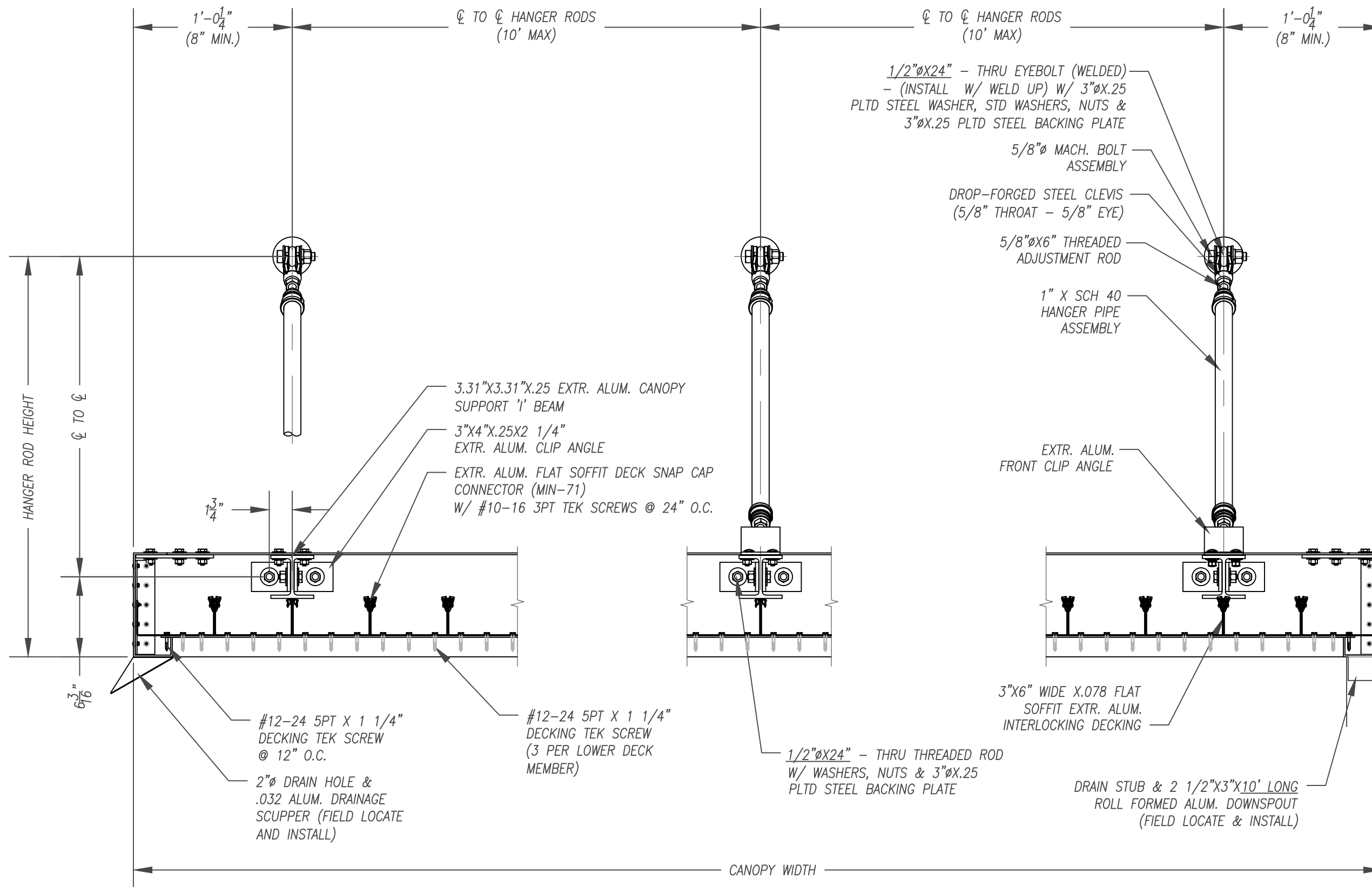
7748 N. 56th St.
 Lincoln, NE. 68514-9724
 Ph: (888) 273-1132
 Fx: (877) 455-6572
 email: cad@mapes.com

Proposed for:
 FLAT SOFFIT (PERP) ()

Job Name:
 SUPER LUMIDECK HANGER
 ROD CANOPY /

PO # dtd
 MQ # Rep:

	sheet:
Jun. 29, 15	05
3" = 1'-0"	of 6



CC TRANSVERSE SECTION
Scale: 1 1/2" = 1'-0"

Canopy Type:

Architect:

Drawn:

Mapes Architectural Canopies

7748 N. 56th St.
Lincoln, NE. 68514-9724
Ph: (888) 273-1132
Fx: (877) 455-6572
email: cad@mapes.com

Proposed for:
FLAT SOFFIT (PERP) ()

Job Name:
SUPER LUMIDECK HANGER ROD CANOPY /

PO # dtd
MQ # Rep:

	sheet:
Jun. 29, 15	06
1 1/2" = 1'-0"	of 6