

- LUMISHADE CANOPY - FRONT CORNER DRAINAGE /

/

Canopy Type:

Architect:

Drawn:		

*Mapes
Architectural
Canopies*

7748 N. 56th St.
Lincoln, NE. 68514-9724
Ph: (888) 273-1132
Fx: (877) 455-6572
email: cad@mapes.com

Proposed for:

()

Job Name:
LUMISHADE CANOPY -
FRONT CORNER DRAINAGE /

PO # dtd
MQ #

Rep:

	sheet:
	01
Jul. 31, 15	of 10

General Notes:

1. MAPES ARCHITECTURAL CANOPIES REQUIRES ONE (1) SET OF "ORIGINAL/COPIES" TO REVISE DRAWINGS, OR AN APPROVED SET OF "ORIGINAL/COPIES" IN ORDER TO FABRICATE ORDER
2. ORDERS REQUIRING ENGINEERING WILL "ONLY" BE FABRICATED "AFTER" STAMPED DRAWINGS ARE APPROVED
3. VERIFY ALL CANOPY AND FIELD DIMENSIONS PRIOR TO RELEASING FOR FABRICATION
4. ALL ORDERS NOT APPROVED FOR PRODUCTION WITHIN 90 DAYS OF PURCHASE ORDER ARE SUBJECT TO A REVIEW OF PRICING
5. ALL FASTENER HOLES NOT OTHERWISE NOTED ARE TO BE FIELD DRILLED
6. ALL FASTENERS NOT OTHERWISE NOTED ARE CADMIUM PLATED FERROUS OR ALUMINUM
7. ADEQUACY OF WALL AND BUILDING STRUCTURE MUST BE CERTIFIED BY BUILDINGS ENGINEER OF RECORD
8. WALL SYSTEMS W/ EIFS OR BRICK VENEER EXTERIOR DESIGN TYPICALLY REQUIRE COMPRESSION SPACERS TO PREVENT CRUSHING, SUPPLIED BY MAPES
9. ADDITIONAL BLOCKING AND BRACING AT CANOPY CONNECTION POINTS TO ADEQUATELY HANDLE CANOPY LOADS TO BE SUPPLIED, FABRICATED & INSTALLED BY OTHERS
10. UNLESS OTHERWISE NOTED, ALL HANGER ROD ATTACHMENTS @ WALL ARE TO BE DESIGNED BY OTHERS
11. UNLESS OTHERWISE NOTED, ALL CANOPY ATTACHMENTS @ WALL ARE TO BE DESIGNED BY OTHERS
12. SOME FIELD MODIFICATION OF CANOPY MEMBERS MAY BE REQUIRED, DEPENDING ON EXISTING SITE CONDITIONS

Project Notes:

1. LUMISHADE CANOPIES
2. 1" SCH 40 HANGER PIPE
3. .032 (.040) ROLL FORMED ALUM. DECKING
4. 8" EXTR. ALUM. STYLE 'J' FASCIA
5. FASCIA DRAIN W/ SCUPPERS

<i>Drawing Schedule</i>	
<i>Page #</i>	<i>Description</i>
01	Cover
02	General Information
03	Canopy Plan 'A'
04	Canopy Plan 'B'
05	Canopy Plan 'C'
06	Section AA
07	Section BB
08	Section CC
09	Section DD
10	Section EE

Design Notes:

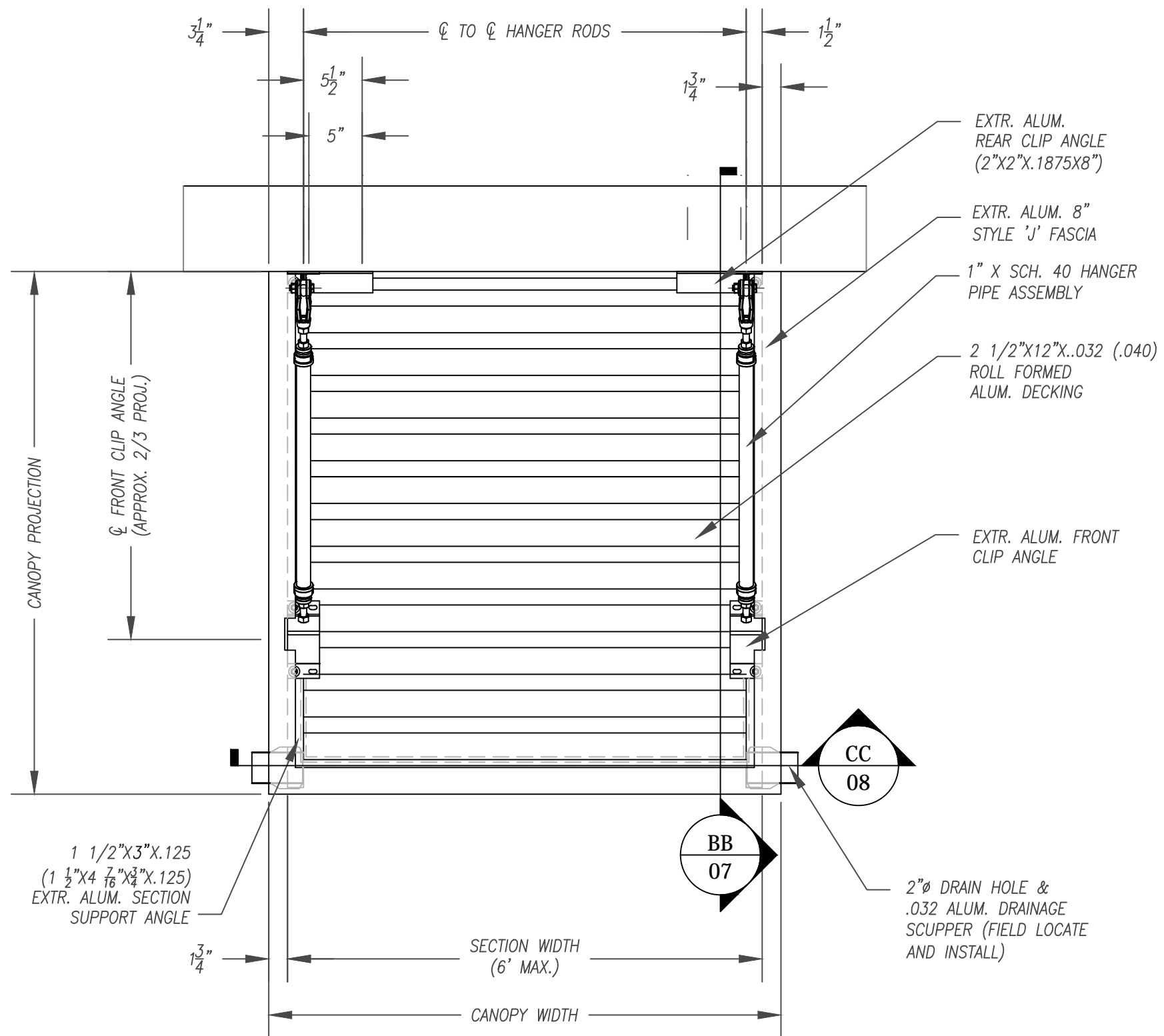
1. FINISH SHALL BE BRONZE BAKED ENAMEL, WHITE BAKED ENAMEL OR CLEAR ANODIZED
2. FINISH SHALL BE POWDER COAT
3. FINISH SHALL BE TWO COAT KYNAR
4. COLOR SHALL BE CHOSEN FROM MAPES STD SMOOTH COLOR CHART
5. FLASHING AND SEALANT, BY CANOPY INSTALLER
6. SURROUND WALL ANCHORS WITH WATER TIGHT SEALANT
7. EMBED ALL WALL ANCHOR WASHERS IN SEALANT TO PROVIDE WATERTIGHT SEAL AT WALL
8. TO ENSURE PROPER DRAINAGE, INSTALL CANOPY WITH POSITIVE CAMBER
9. FIELD DRILL DRAIN HOLES IN FASCIA @ DESIRED SCUPPER LOCATIONS

<i>Canopy Type:</i>		
<i>Architect:</i>		
<i>Drawn:</i>		

**Mapes
Architectural
Canopies**

7748 N. 56th St.
Lincoln, NE. 68514-9724
Ph: (888) 273-1132
Fx: (877) 455-6572
email: cad@mapes.com

<i>Proposed for:</i> ()	
<i>Job Name:</i> LUMISHADE CANOPY - FRONT CORNER DRAINAGE /	
<i>PO #</i> <i>dtd</i>	<i>Rep:</i>
<i>MQ #</i>	
Jul. 31, 15	sheet: 02
	of 10



A CANOPY PLAN
 Scale: 1" = 1'-0"

Canopy Type:

Architect:

Drawn:

Mapes Architectural Canopies

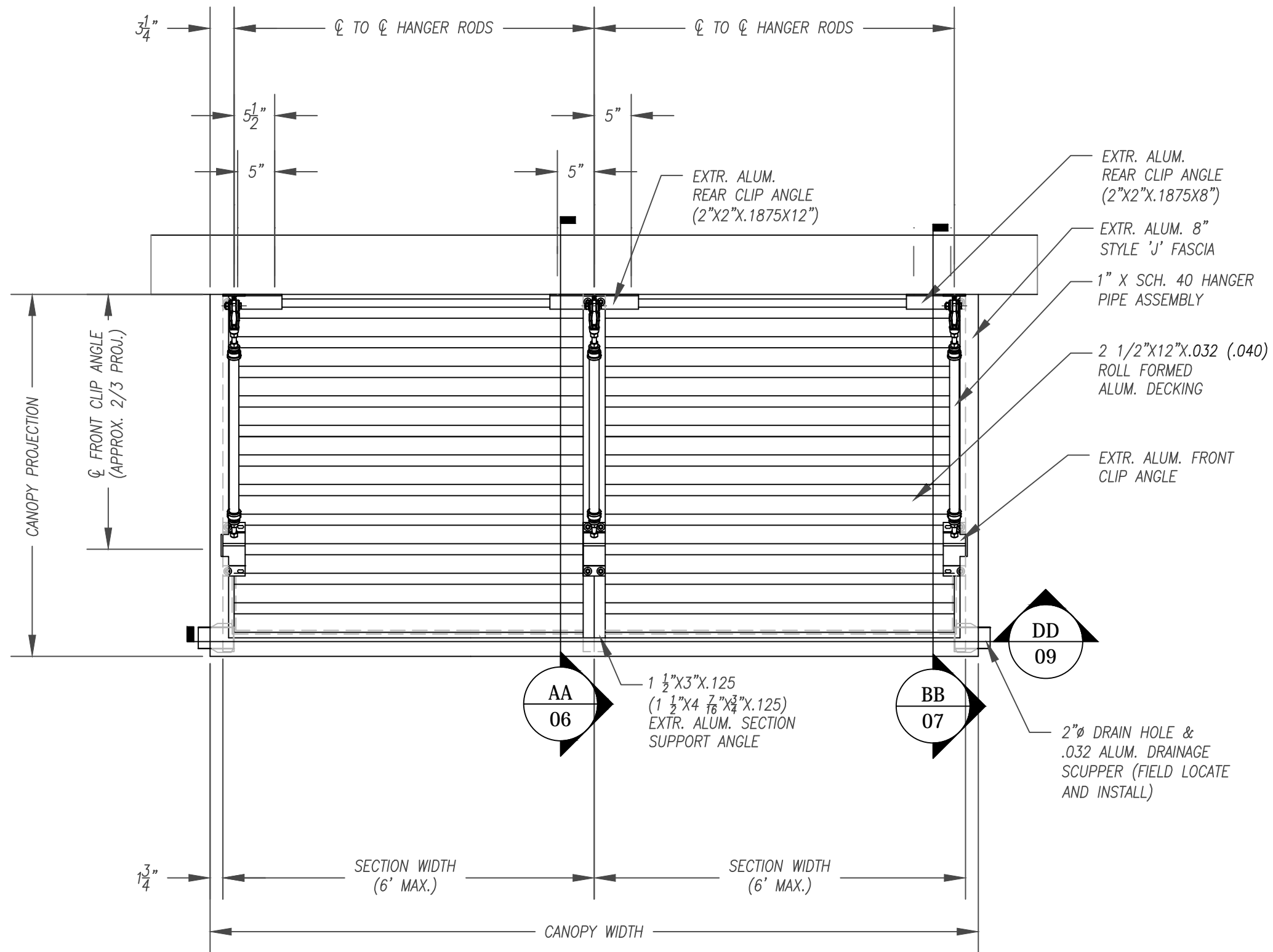
7748 N. 56th St.
 Lincoln, NE. 68514-9724
 Ph: (888) 273-1132
 Fx: (877) 455-6572
 email: cad@mapes.com

Proposed for:
 ()

Job Name:
 LUMISHADE CANOPY -
 FRONT CORNER DRAINAGE /

PO # dtd
 MQ # Rep:

	sheet:
Jul. 31, 15	03
1" = 1'-0"	of 10



B CANOPY PLAN
Scale: 3/4" = 1'-0"

Canopy Type:

Architect:

Drawn:		

Mapes Architectural Canopies

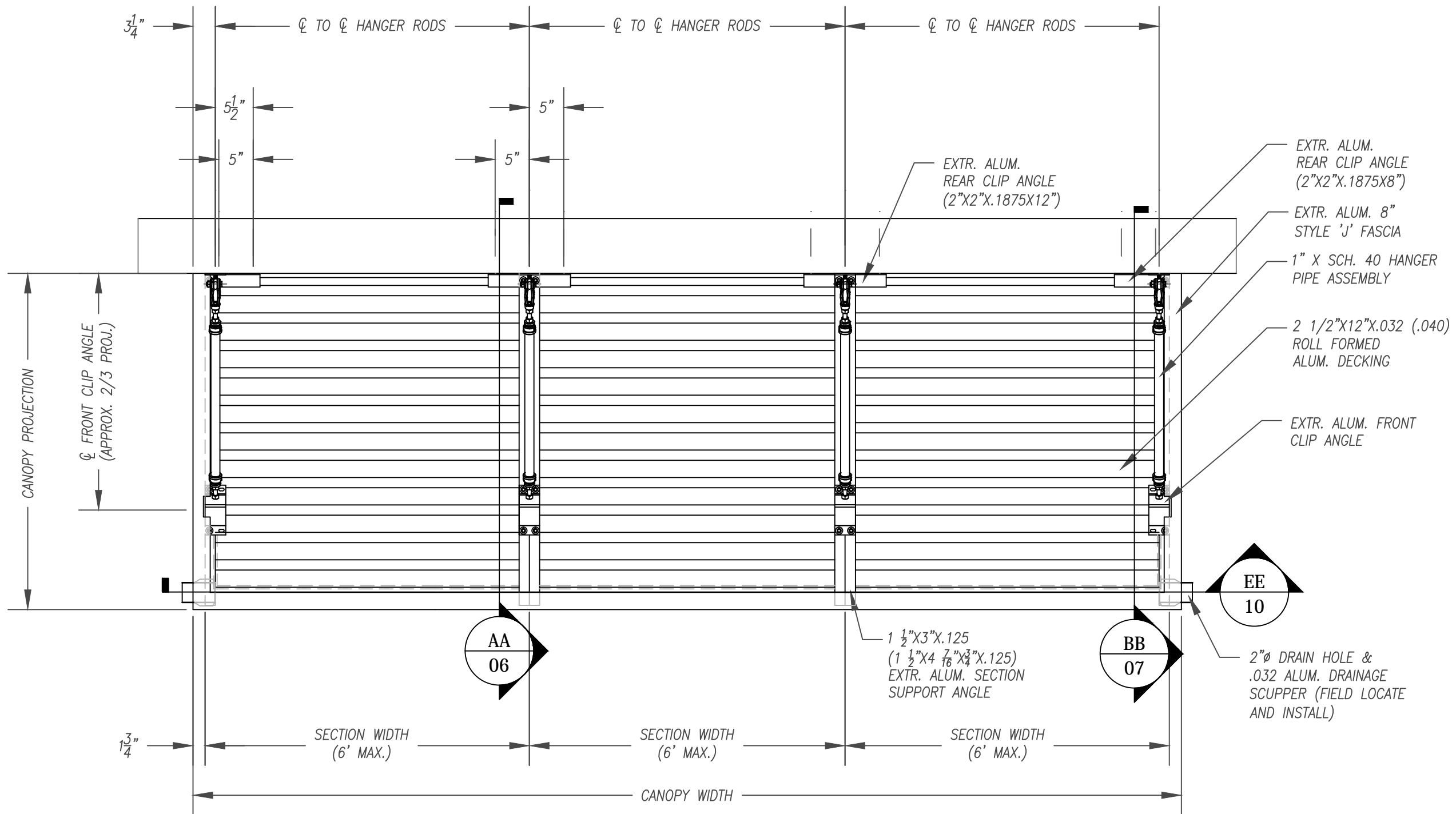
7748 N. 56th St.
Lincoln, NE. 68514-9724
Ph: (888) 273-1132
Fx: (877) 455-6572
email: cad@mapes.com

Proposed for:
()

Job Name:
LUMISHADE CANOPY -
FRONT CORNER DRAINAGE /

PO # dtd
MQ # Rep:

	sheet:
Jul. 31, 15	04
3/4" = 1'-0"	of 10



C CANOPY PLAN
Scale: 3/4" = 1'-0"

Canopy Type:

Architect:

Drawn:

Mapes Architectural Canopies

7748 N. 56th St.
Lincoln, NE. 68514-9724
Ph: (888) 273-1132
Fx: (877) 455-6572
email: cad@mapes.com

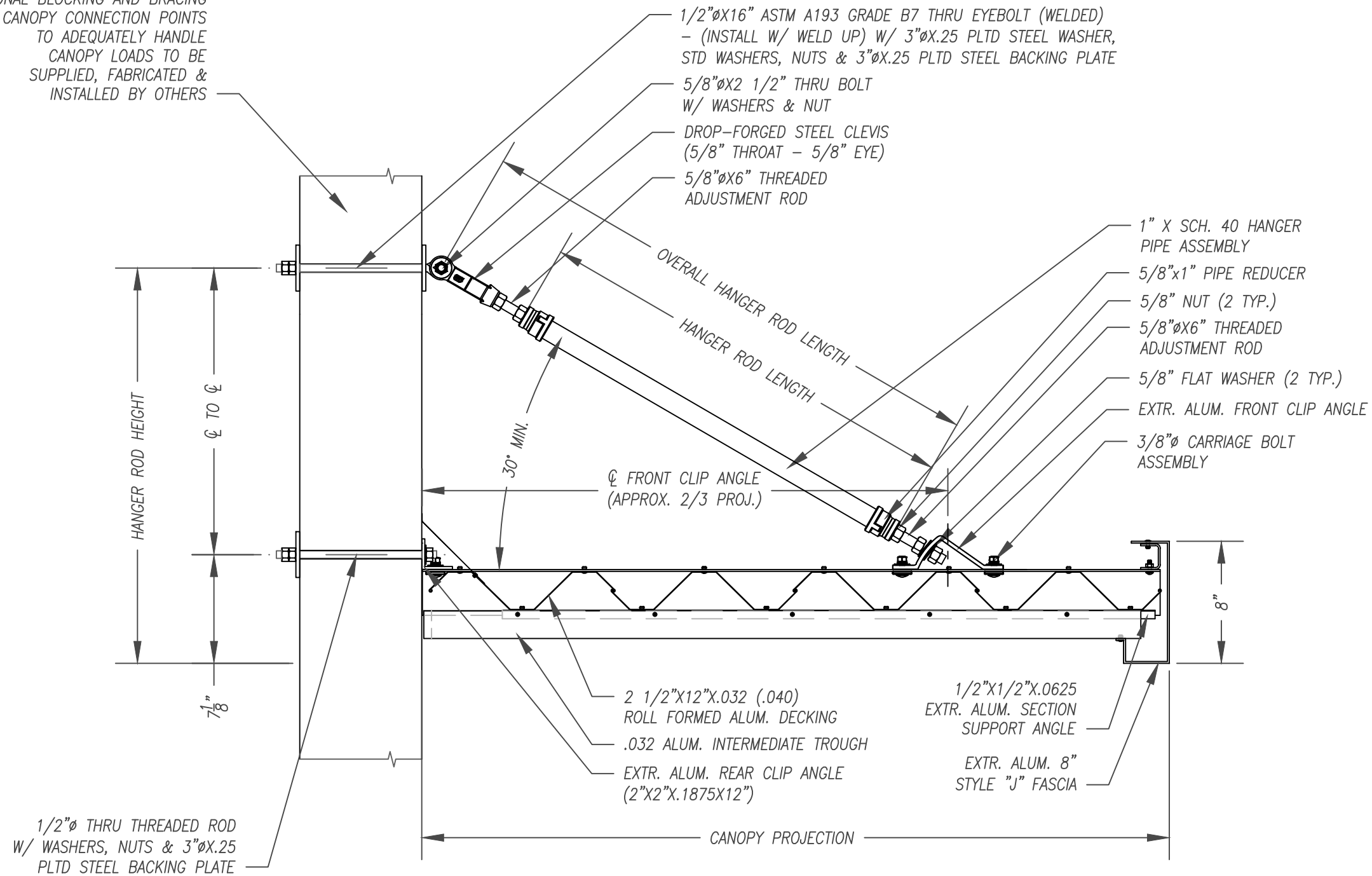
Proposed for:
()

Job Name:
LUMISHADE CANOPY -
FRONT CORNER DRAINAGE /

PO # dtd
MQ # Rep:

	sheet:
Jul. 31, 15	05
3/4" = 1'-0"	of 10

ADDITIONAL BLOCKING AND BRACING
AT CANOPY CONNECTION POINTS
TO ADEQUATELY HANDLE
CANOPY LOADS TO BE
SUPPLIED, FABRICATED &
INSTALLED BY OTHERS



AA

SECTION @ HANGER ROD

Scale: 1 1/2" = 1'-0"

Canopy Type:

Architect:

Drawn:

Mapes
Architectural
Canopies

7748 N. 56th St.
Lincoln, NE. 68514-9724
Ph: (888) 273-1132
Fx: (877) 455-6572
email: cad@mapes.com

Proposed for:

()

Job Name:
LUMISHADE CANOPY -
FRONT CORNER DRAINAGE /

PO # dtd
MQ #

Rep:

sheet:

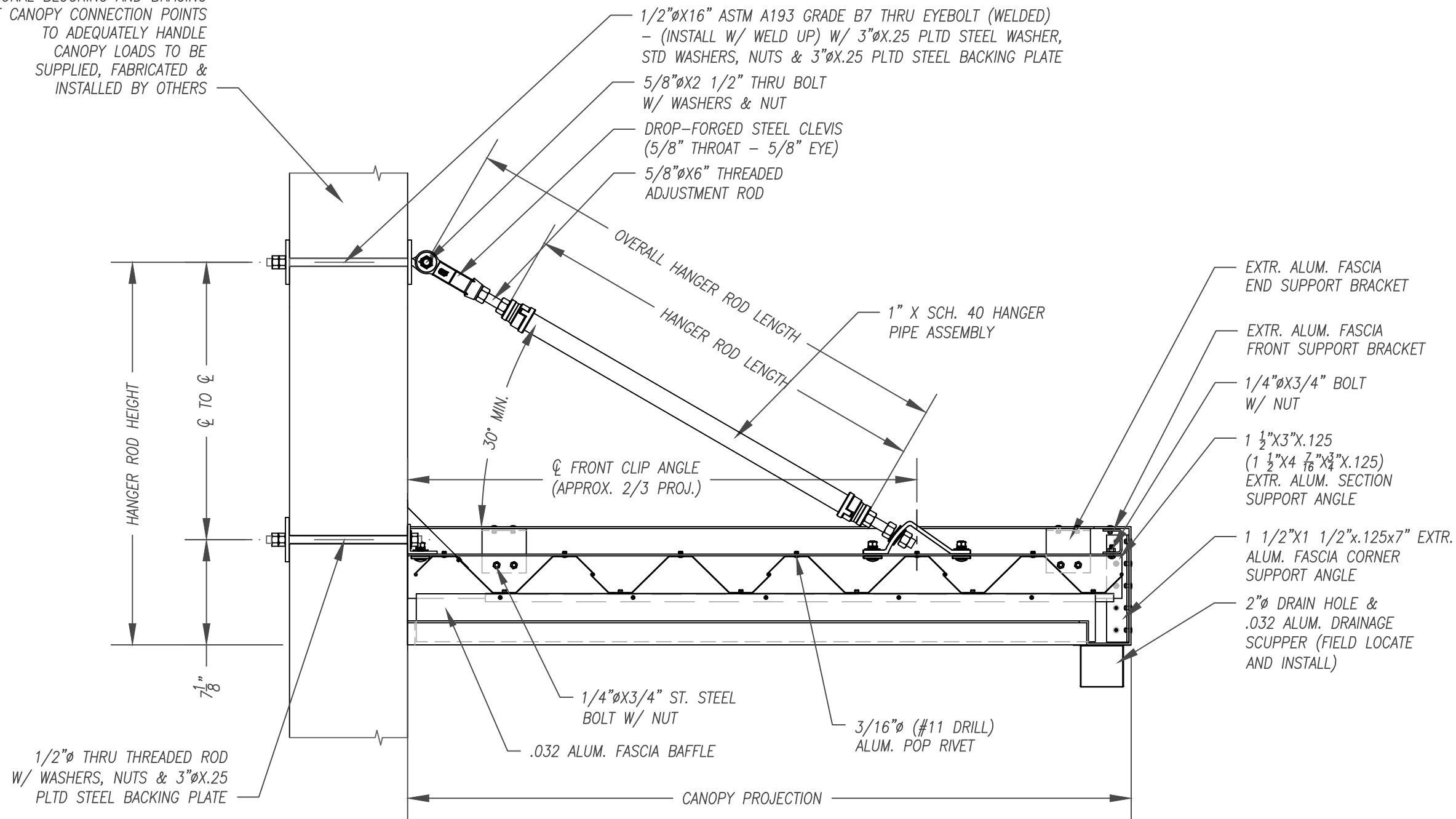
Jul. 31, 15

06

1 1/2" = 1'-0"

of 10

ADDITIONAL BLOCKING AND BRACING
AT CANOPY CONNECTION POINTS
TO ADEQUATELY HANDLE
CANOPY LOADS TO BE
SUPPLIED, FABRICATED &
INSTALLED BY OTHERS



BB

SECTION @ END CANOPY

Scale: 1 1/2" = 1'-0"

Canopy Type:

Architect:

Drawn:

**Mapes
Architectural
Canopies**

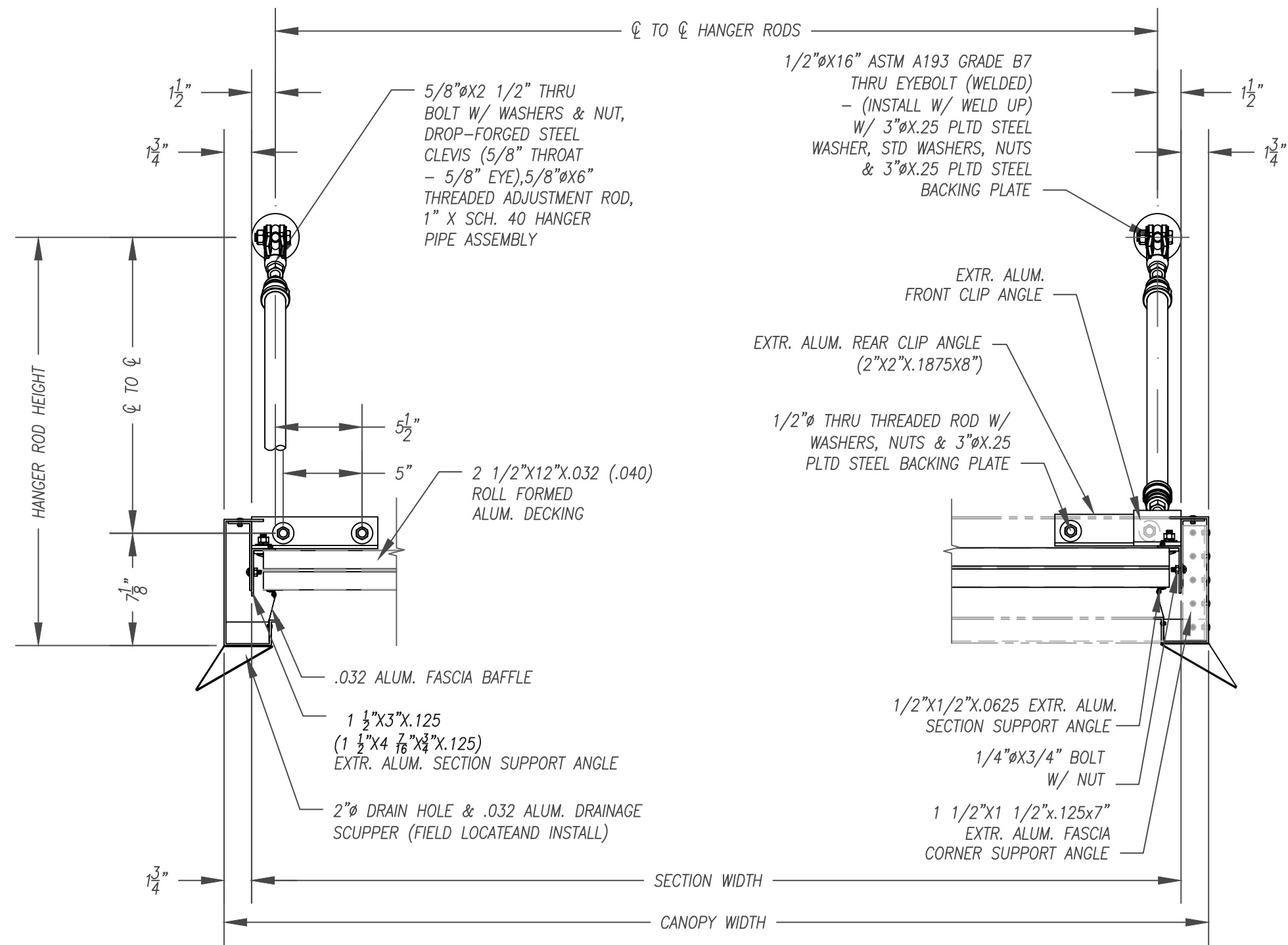
7748 N. 56th St.
Lincoln, NE. 68514-9724
Ph: (888) 273-1132
Fx: (877) 455-6572
email: cad@mapes.com

Proposed for:
()

Job Name:
LUMISHADE CANOPY -
FRONT CORNER DRAINAGE /

PO # dtd
MQ # Rep:

	sheet:
Jul. 31, 15	07
1 1/2" = 1'-0"	of 10



CC
TRANSVERSE SECTION
 Scale: 1 1/2" = 1'-0"

Canopy Type:

Architect:

--	--	--

Drawn:

--	--	--

Mapes
Architectural
Canopies

7748 N. 56th St.
 Lincoln, NE. 68514-9724
 Ph: (888) 273-1132
 Fx: (877) 455-6572
 email: cad@mapes.com

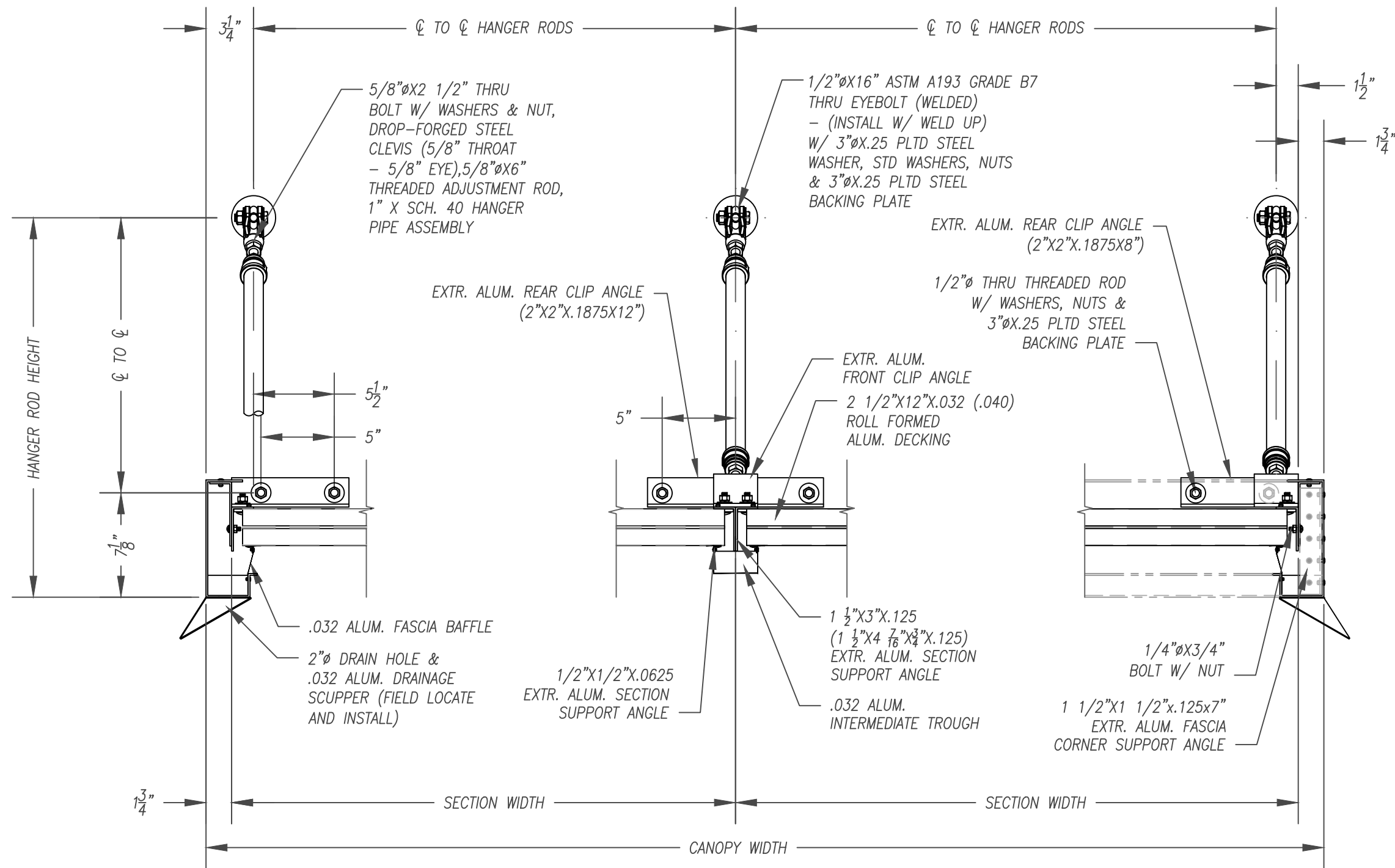
Proposed for:

()

Job Name:
LUMISHADE CANOPY -
FRONT CORNER DRAINAGE /

PO # dtd
MQ # Rep:

	sheet:
Jul. 31, 15	08
1 1/2" = 1'-0"	of 10



DD TRANSVERSE SECTION

Scale: 1 1/2" = 1'-0"

Canopy Type:

Architect:

Drawn:

**Mapes
Architectural
Canopies**

7748 N. 56th St.
Lincoln, NE. 68514-9724
Ph: (888) 273-1132
Fx: (877) 455-6572
email: cad@mapes.com

Proposed for:

Job Name:
LUMISHADE CANOPY -
FRONT CORNER DRAINAGE /

PO # dtd
MQ #

Rep:

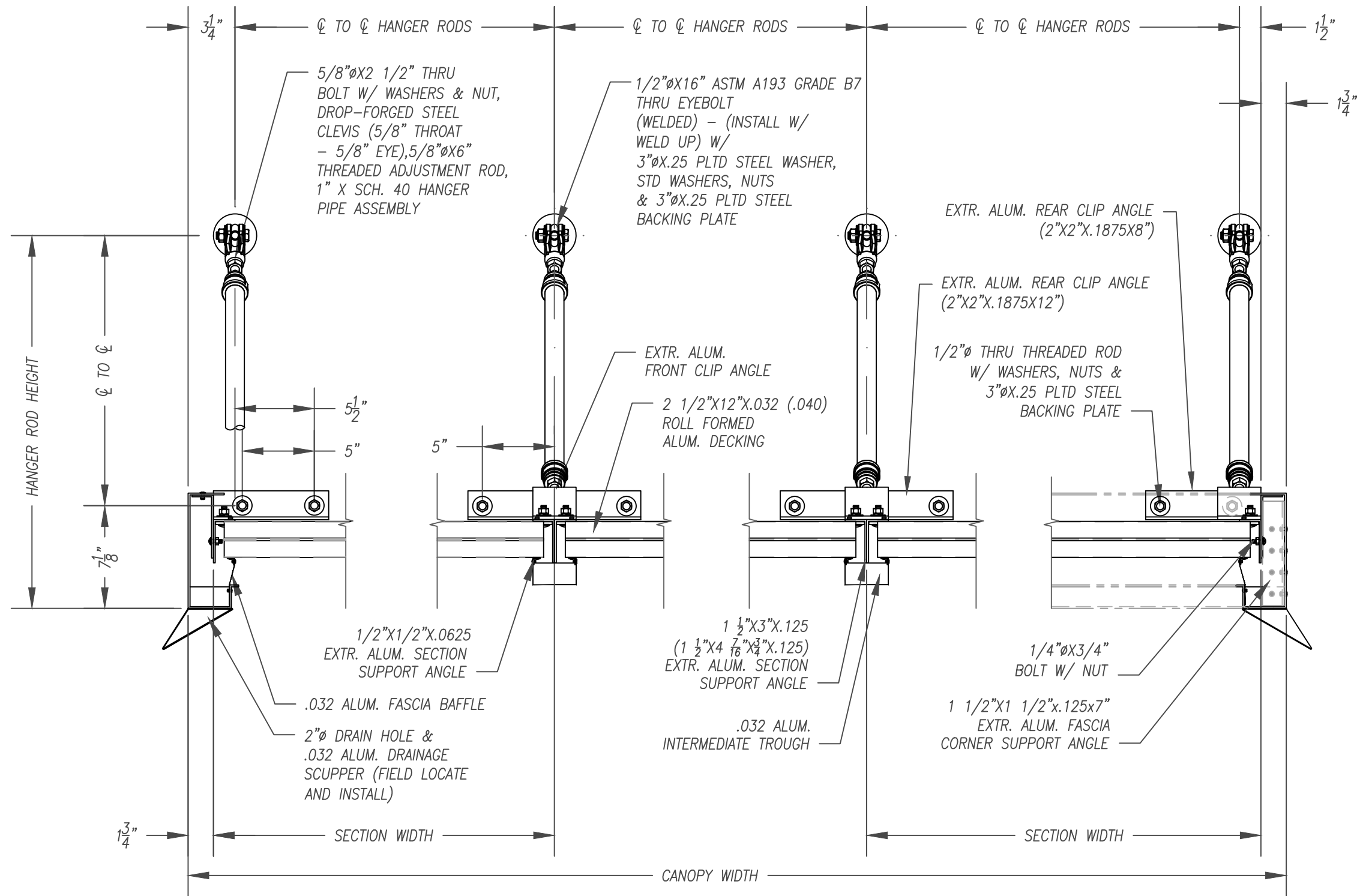
sheet:

09

Jul. 31, 15

1 1/2" = 1'-0"

of 10



EE **TRANSVERSE SECTION**

Scale: 1 1/2" = 1'-0"

Canopy Type:

Architect:

Drawn:

Mapes Architectural Canopies

7748 N. 56th St.
 Lincoln, NE. 68514-9724
 Ph: (888) 273-1132
 Fx: (877) 455-6572
 email: cad@mapes.com

Proposed for:

()

Job Name:
 LUMISHADE CANOPY -
 FRONT CORNER DRAINAGE /

PO # dtd
 MQ #

Rep:

sheet:

10

Jul. 31, 15

1 1/2" = 1'-0"

of 10