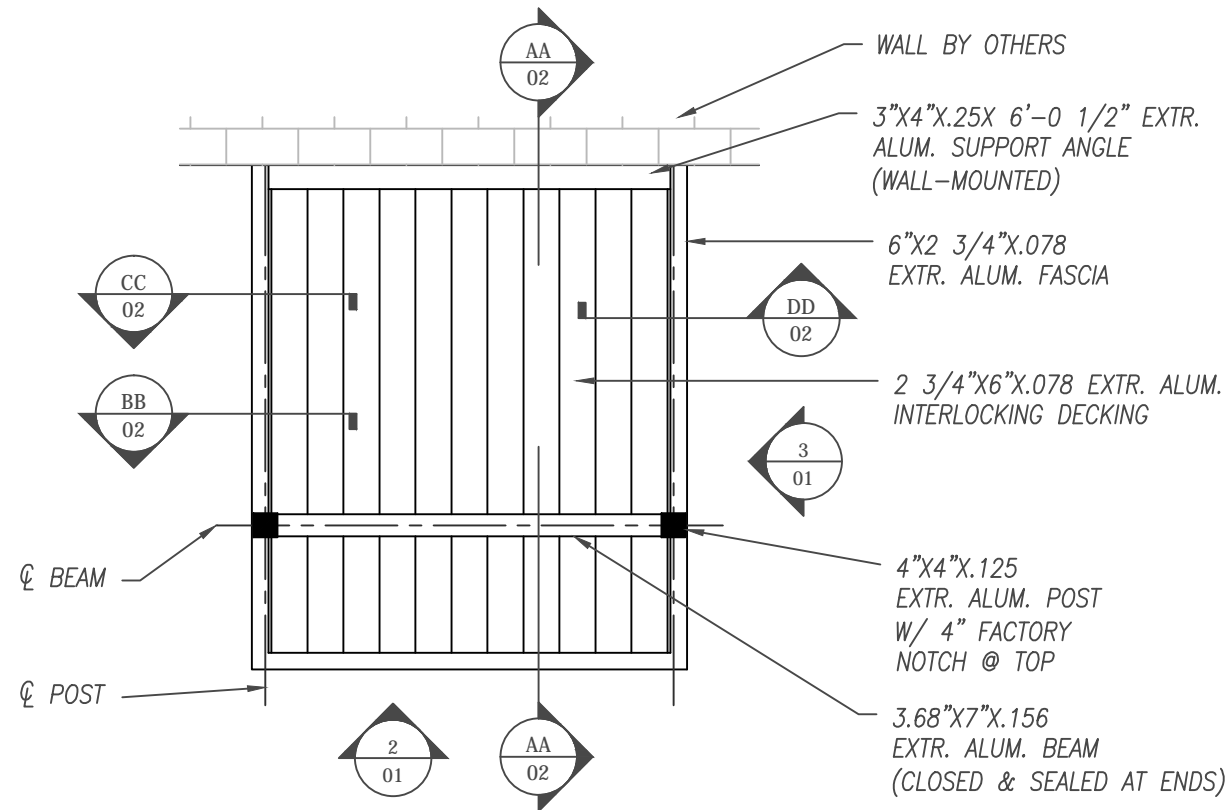
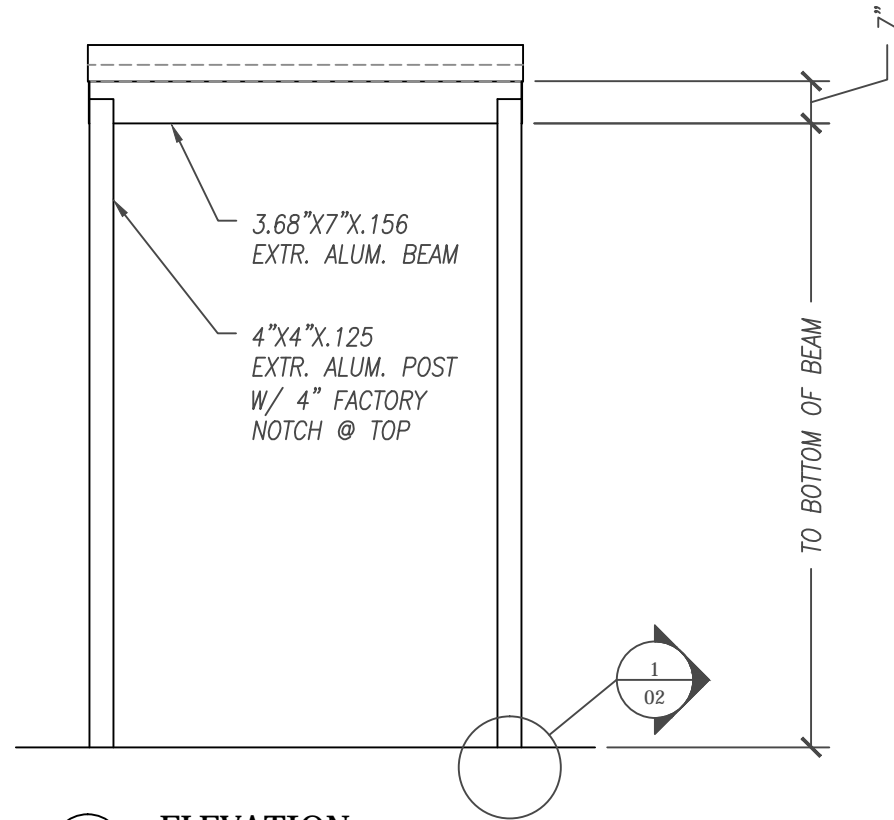


SUPER LUMIDECK POST SUPPORTED (2007)



1 REFLECTED CANOPY PLAN
Scale: 3/8" = 1'-0"



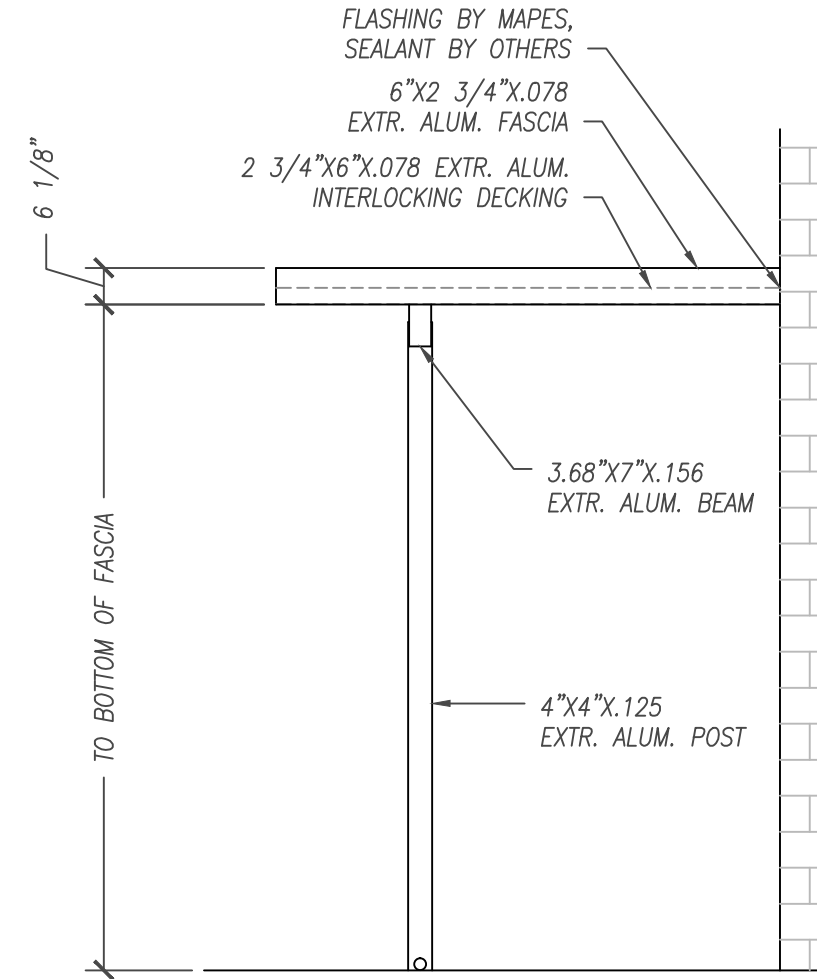
2 ELEVATION
Scale: 3/8" = 1'-0"

CANOPY OPTIONS ALSO AVAILABLE:

- 8" EXTR. ALUM. 'J'-STYLE FASCIA (W/ INTEGRAL GUTTER)
- 5"x6"x.078 EXTR. ALUM. DECKING
- 4"x6"x.15 EXTR. ALUM. POST
- 6"x6"x.188 EXTR. ALUM. POST
- 5.554"x6"x.188 EXTR. ALUM. BEAM
- 5.554"x10"x.188 EXTR. ALUM. BEAM
- SURFACE-MOUNTED POSTS
- FREE STANDING CANOPY (POSTS)

NOTES:

1. VERIFY ALL DIMENSIONS
2. ALL FASTENER HOLES NOT OTHERWISE NOTED ARE TO BE FIELD-DRILLED
3. ALL FASTENERS NOT OTHERWISE NOTED ARE STAINLESS STEEL
4. FACTORY NOTCHES IN POSTS ARE ALWAYS AT THE TOP
5. TO ENSURE PROPER DRAINAGE, INSTALL CANOPY WITH POSITIVE CAMBER
6. FIELD-DRILL DRAIN HOLES IN DECK AT BEAM, IN BEAM AT POST, IN POST AT GROUND



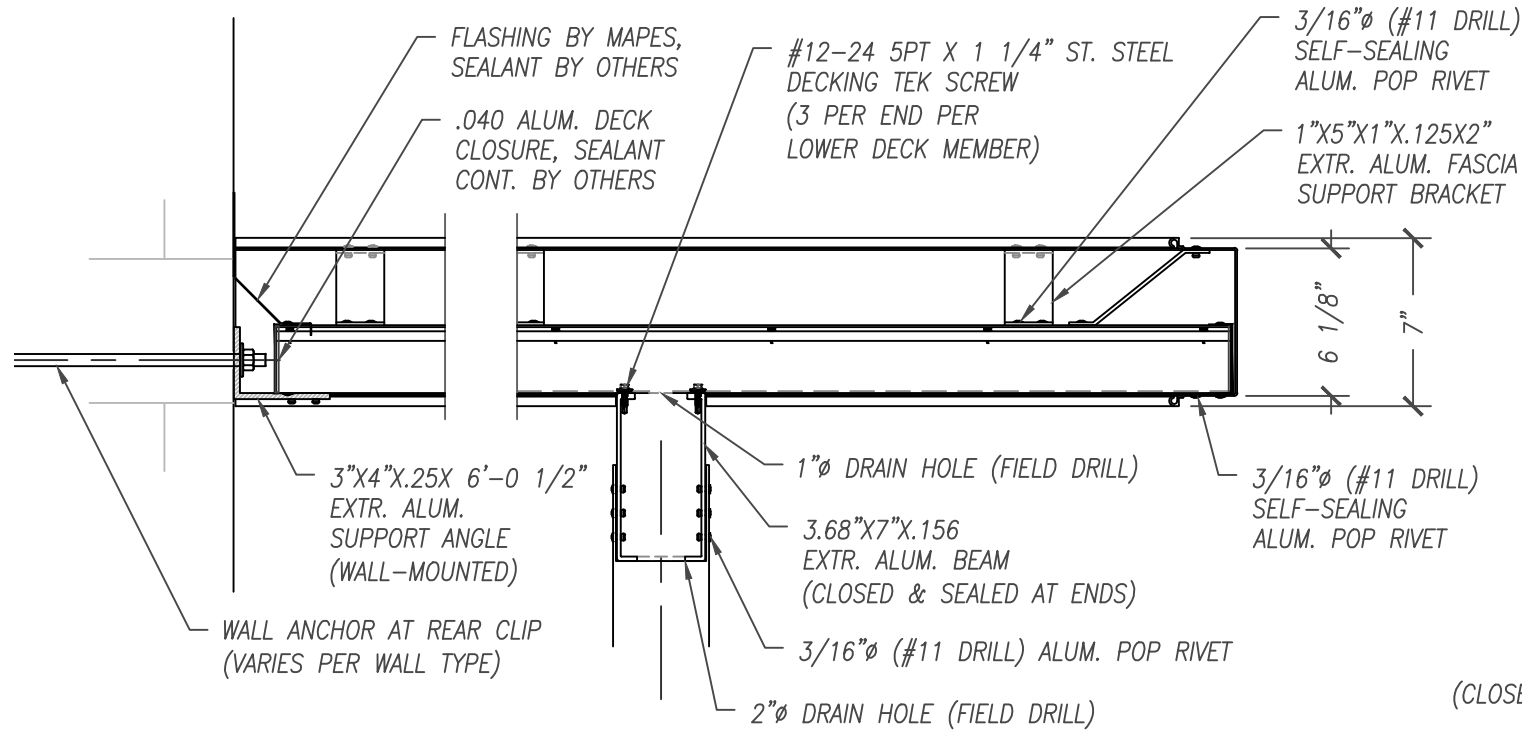
3 ELEVATION
Scale: 3/8" = 1'-0"

Mapes Architectural Canopies

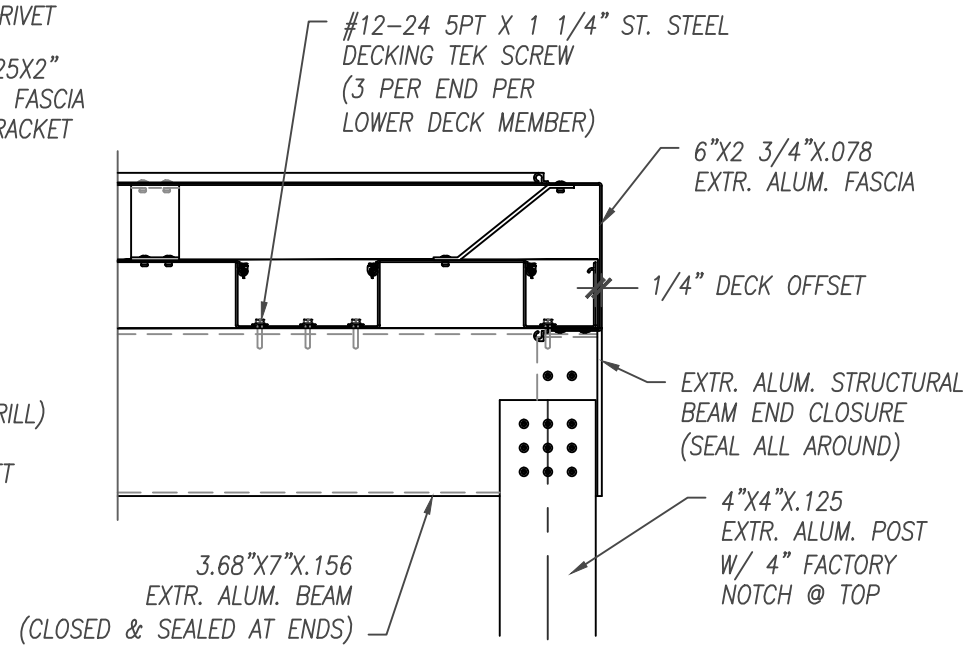
7748 N. 56th St.
Lincoln, NE. 68514-9724
Ph: (888) 273-1132
Fx: (877) 455-6572
email: cad@mapes.com

Canopy Type:
SUPER LUMIDECK

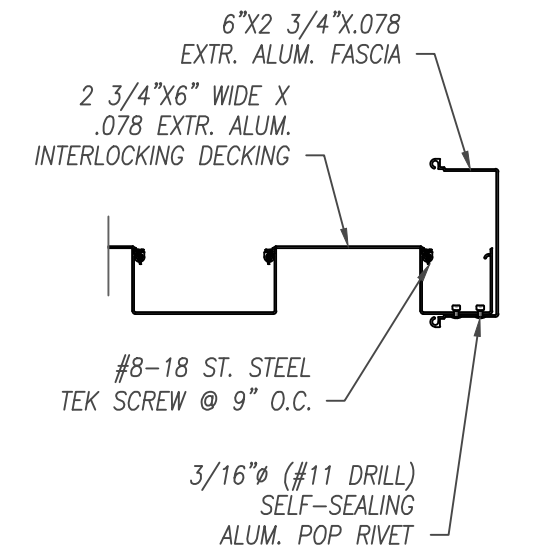
	sheet:
	01
	of 2



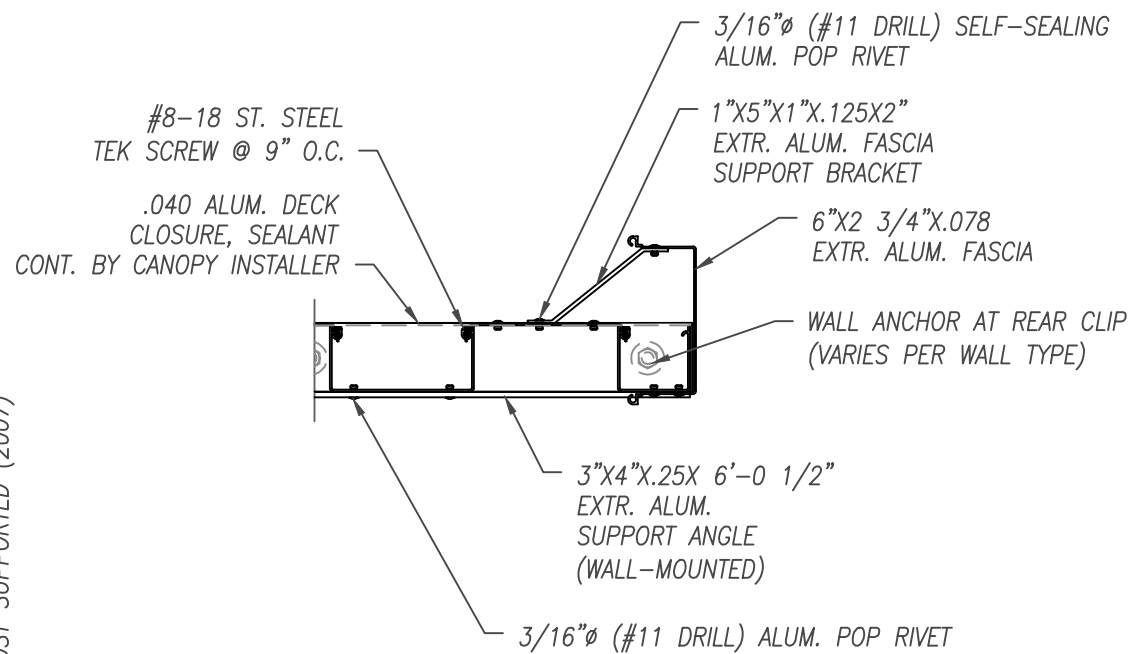
AA SECTION
 Scale: 1 1/2" = 1'-0"



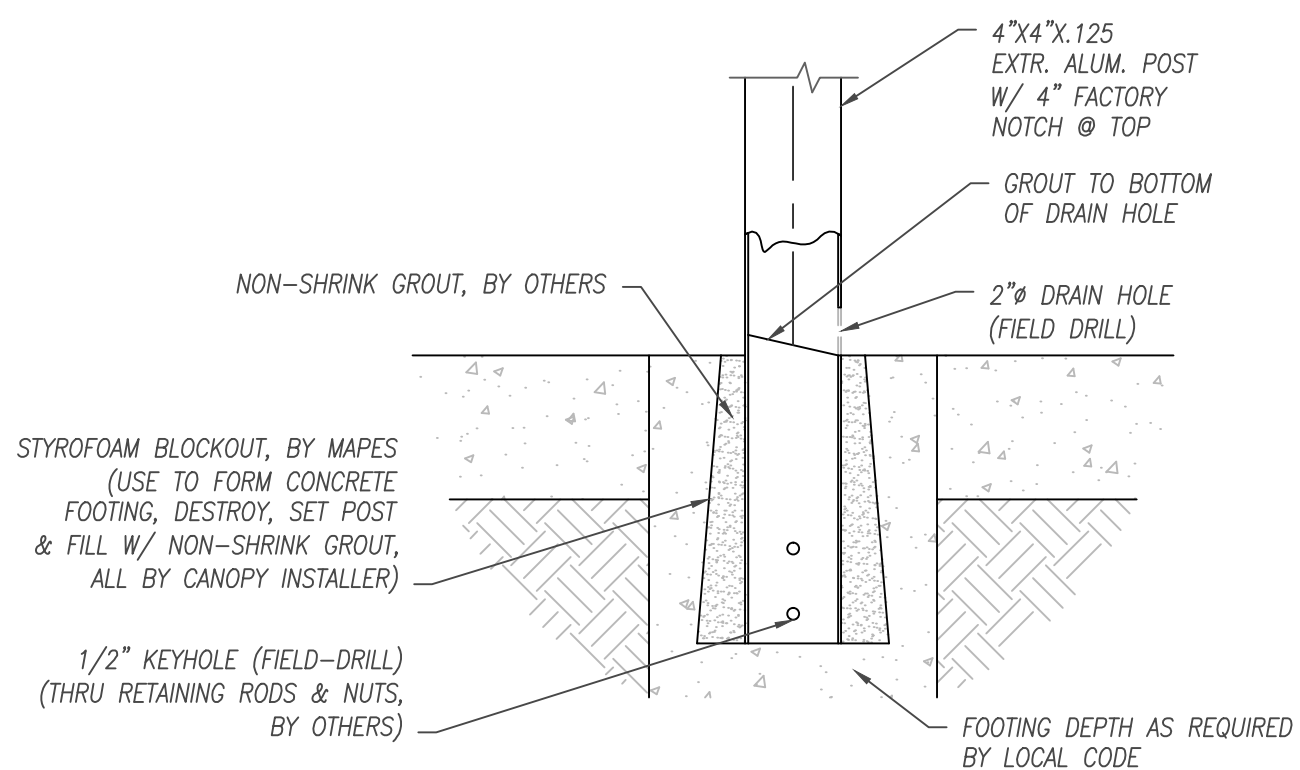
BB SECTION
 Scale: 1 1/2" = 1'-0"



CC SECTION MID - DECK
 Scale: 1 1/2" = 1'-0"



DD SECTION AT WALL
 Scale: 1 1/2" = 1'-0"



1 POST FOOTING DETAIL
 Scale: 1 1/2" = 1'-0"

SUPER LUMIDECK POST SUPPORTED (2007)

Mapes Architectural Canopies

7748 N. 56th St.
 Lincoln, NE. 68514-9724
 Ph: (888) 273-1132
 Fx: (877) 455-6572
 email: cad@mapes.com

Canopy Type:
 SUPER LUMIDECK

	sheet:
	02
Jul. 31, 15	
1 1/2" = 1'-0"	of 2