

- FLAT SOFFIT SUPER LUMIDECK HANGER ROD CANOPY /

/

Canopy Type:

Architect:

| | | |
|--------|--|--|
| | | |
| | | |
| | | |
| Drawn: | | |

*Mapes
Architectural
Canopies*

7748 N. 56th St.
Lincoln, NE. 68514-9724
Ph: (888) 273-1132
Fx: (877) 455-6572
email: cad@mapes.com

Proposed for:

()

Job Name:
FLAT SOFFIT SUPER
LUMIDECK HANGER ROD
CANOPY /

PO # dtd
MQ #

Rep:

| | |
|-------------|--------|
| | sheet: |
| May. 19, 14 | 01 |
| | of 8 |

General Notes:

1. MAPES ARCHITECTURAL CANOPIES REQUIRES ONE (1) SET OF CORRECTED DRAWINGS TO REVISE APPROVAL DRAWINGS, OR AN APPROVED SET OF DRAWINGS IN ORDER TO FABRICATE ORDER
2. VERIFY ALL CANOPY AND FIELD DIMENSIONS PRIOR TO RELEASING FOR FABRICATION
3. ALL ORDERS NOT APPROVED FOR PRODUCTION WITHIN 90 DAYS OF PURCHASE ORDER ARE SUBJECT TO A REVIEW OF PRICING
4. ALL FASTENER HOLES NOT OTHERWISE NOTED ARE TO BE FIELD DRILLED
5. ALL FASTENERS NOT OTHERWISE NOTED ARE STAINLESS STEEL OR ALUMINUM
6. ADEQUACY OF WALL AND BUILDING STRUCTURE MUST BE CERTIFIED BY BUILDINGS ENGINEER OF RECORD
7. WALL SYSTEMS W/ EIFS, BRICK VENEER OR METAL PANEL EXTERIOR DESIGN TYPICALLY REQUIRE COMPRESSION SPACERS TO PREVENT CRUSHING, SUPPLIED BY MAPES
8. ADDITIONAL BLOCKING AND BRACING AT CANOPY CONNECTION POINTS TO ADEQUATELY HANDLE CANOPY LOADS TO BE SUPPLIED, FABRICATED & INSTALLED BY OTHERS
9. UNLESS OTHERWISE NOTED, ALL HANGER ROD ATTACHMENTS @ WALL ARE TO BE DESIGNED BY OTHERS
10. UNLESS OTHERWISE NOTED, ALL CANOPY ATTACHMENTS @ WALL ARE TO BE DESIGNED BY OTHERS

Project Notes:

1. SUPER LUMIDECK CANOPIES
2. 6'-0 1/2"x5'-0" PROJ (1),
15'-6 1/2"x5'-0" PROJ (1)
3. 1" HANGER PIPE
4. FLAT SOFFIT DECKING (PERP)
5. 8" STYLE 'G' FASCIA
6. FASCIA DRAIN W/ SCUPPERS

| <i>Drawing Schedule</i> | |
|-------------------------|---------------------|
| <i>Page #</i> | <i>Description</i> |
| 01 | Cover |
| 02 | General Information |
| 03 | Canopy Plan 'A' |
| 04 | Canopy Plan 'B' |
| 05 | Section AA |
| 06 | Section BB |
| 07 | Section CC |
| 08 | Section DD |

Design Notes:

1. FINISH SHALL BE BRONZE BAKED ENAMEL, WHITE BAKED ENAMEL OR CLEAR ANODIZED
2. COUNTER FLASHING AND SEALANT, BY CANOPY INSTALLER
3. SURROUND WALL ANCHORS WITH WATER TIGHT SEALANT
4. EMBED ALL WALL ANCHOR WASHERS IN SEALANT TO PROVIDE WATERTIGHT SEAL AT WALL
5. TO ENSURE PROPER DRAINAGE, INSTALL CANOPY WITH POSITIVE CAMBER
6. FIELD DRILL DRAIN HOLES IN FASCIA @ DESIRED SCUPPER LOCATIONS

Canopy Type:

Architect:

Drawn:

*Mapes
Architectural
Canopies*

7748 N. 56th St.
Lincoln, NE. 68514-9724
Ph: (888) 273-1132
Fx: (877) 455-6572
email: cad@mapes.com

Proposed for:

()

Job Name:
FLAT SOFFIT SUPER
LUMIDECK HANGER ROD
CANOPY /

PO # dtd
MQ #

Rep:

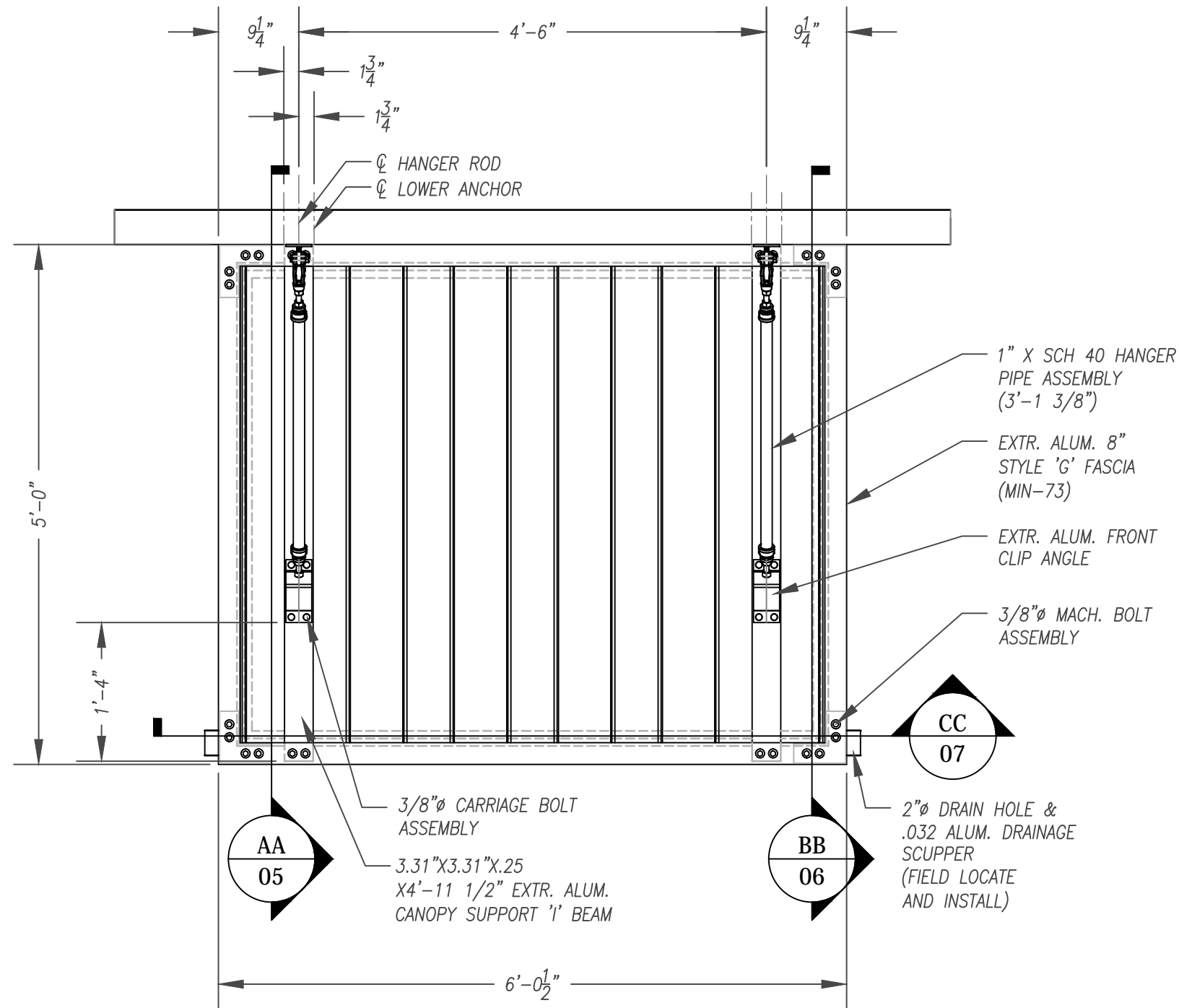
May. 19, 14

sheet:

02

of 8

ONE CANOPY
THUS



A CANOPY PLAN
Scale: 3/4" = 1'-0"

Canopy Type:

Architect:

| | | |
|--|--|--|
| | | |
| | | |
| | | |

Drawn:

Mapes Architectural Canopies

7748 N. 56th St.
Lincoln, NE. 68514-9724
Ph: (888) 273-1132
Fx: (877) 455-6572
email: cad@mapes.com

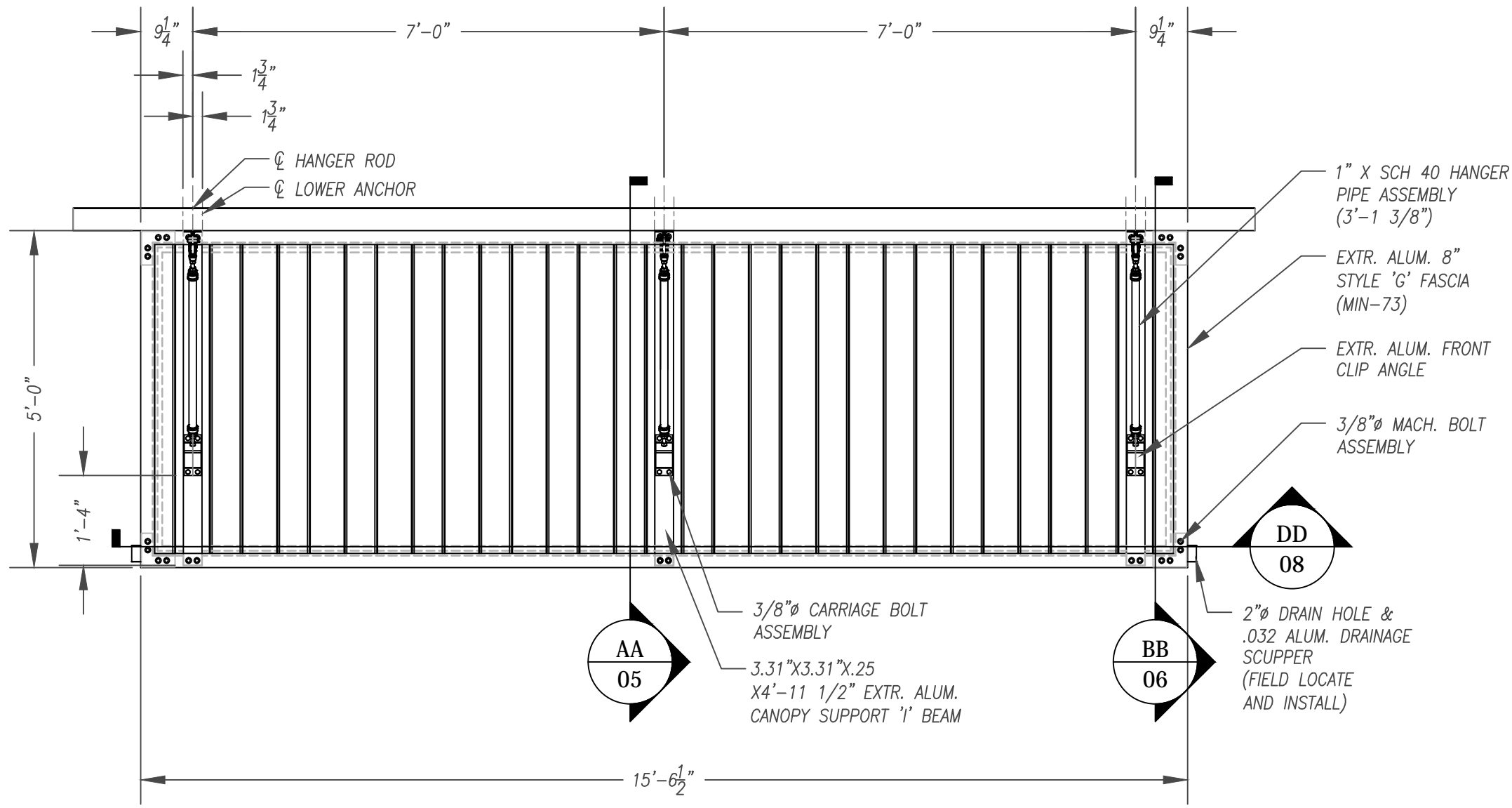
Proposed for:
()

Job Name:
FLAT SOFFIT SUPER LUMIDECK HANGER ROD CANOPY /

PO # dtd
MQ # Rep:

| | |
|--------------|--------|
| | sheet: |
| May. 19, 14 | 03 |
| 3/4" = 1'-0" | of 8 |

ONE CANOPY
THUS



B CANOPY PLAN
Scale: 1/2" = 1'-0"

Canopy Type:

Architect:

| | | |
|--|--|--|
| | | |
| | | |
| | | |

Drawn:

Mapes Architectural Canopies

7748 N. 56th St.
 Lincoln, NE. 68514-9724
 Ph: (888) 273-1132
 Fx: (877) 455-6572
 email: cad@mapes.com

Proposed for:
()

Job Name:
 FLAT SOFFIT SUPER LUMIDECK HANGER ROD CANOPY /

PO # dtd
 MQ # Rep:

| | |
|--------------|--------|
| | sheet: |
| May. 19, 14 | 04 |
| 1/2" = 1'-0" | of 8 |

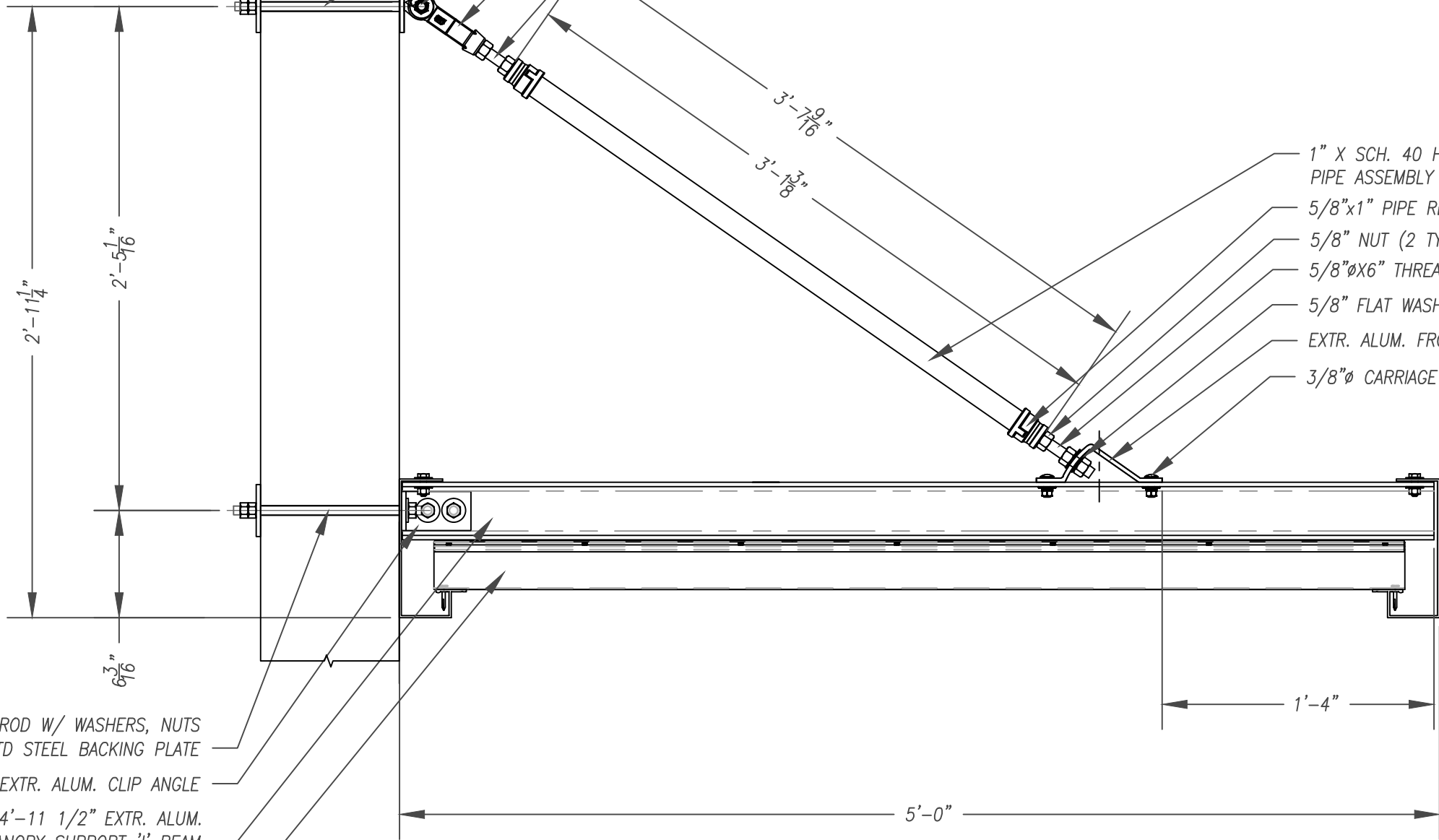
ADDITIONAL BLOCKING AND BRACING
AT CANOPY CONNECTION POINTS
TO ADEQUATELY HANDLE
CANOPY LOADS TO BE
SUPPLIED, FABRICATED &
INSTALLED BY OTHERS

VERIFY WALL TYPE

- 1/2"ØX16" ASTM A193 GRADE B7 THRU EYEBOLT (WELDED)
- (INSTALL W/ WELD UP) W/ 3"ØX.25 PLTD STEEL WASHER,
STD WASHERS, NUTS & 3"ØX.25 PLTD STEEL BACKING PLATE
- 5/8"ØX2 1/2" THRU BOLT W/ WASHERS & NUT
- DROP-FORGED STEEL CLEVIS
(5/8" THROAT - 5/8" EYE)
- 5/8"ØX6" THREADED ADJUSTMENT ROD

3'-7⁹/₁₆"
3'-7³/₈"

- 1" X SCH. 40 HANGER
PIPE ASSEMBLY
- 5/8"x1" PIPE REDUCER
- 5/8" NUT (2 TYP.)
- 5/8"ØX6" THREADED ADJUSTMENT ROD
- 5/8" FLAT WASHER (2 TYP.)
- EXTR. ALUM. FRONT CLIP ANGLE
- 3/8"Ø CARRIAGE BOLT ASSEMBLY



- 1/2"Ø THRU THREADED ROD W/ WASHERS, NUTS
& 3"ØX.25 PLTD STEEL BACKING PLATE
- 3"X4"X.25X2 1/4" EXTR. ALUM. CLIP ANGLE
- 3.31"X3.31"X.25X4'-11 1/2" EXTR. ALUM.
CANOPY SUPPORT 'I' BEAM
- 3"X6" WIDE X.078 FLAT SOFFIT
EXTR. ALUM. INTERLOCKING DECKING

AA

SECTION @ HANGER ROD

Scale: 1 1/2" = 1'-0"

Canopy Type:

Architect:

Drawn:

Mapes
Architectural
Canopies

7748 N. 56th St.
Lincoln, NE. 68514-9724
Ph: (888) 273-1132
Fx: (877) 455-6572
email: cad@mapes.com

Proposed for:

()

Job Name:
FLAT SOFFIT SUPER
LUMIDECK HANGER ROD
CANOPY /

PO # dtd
MQ #

Rep:

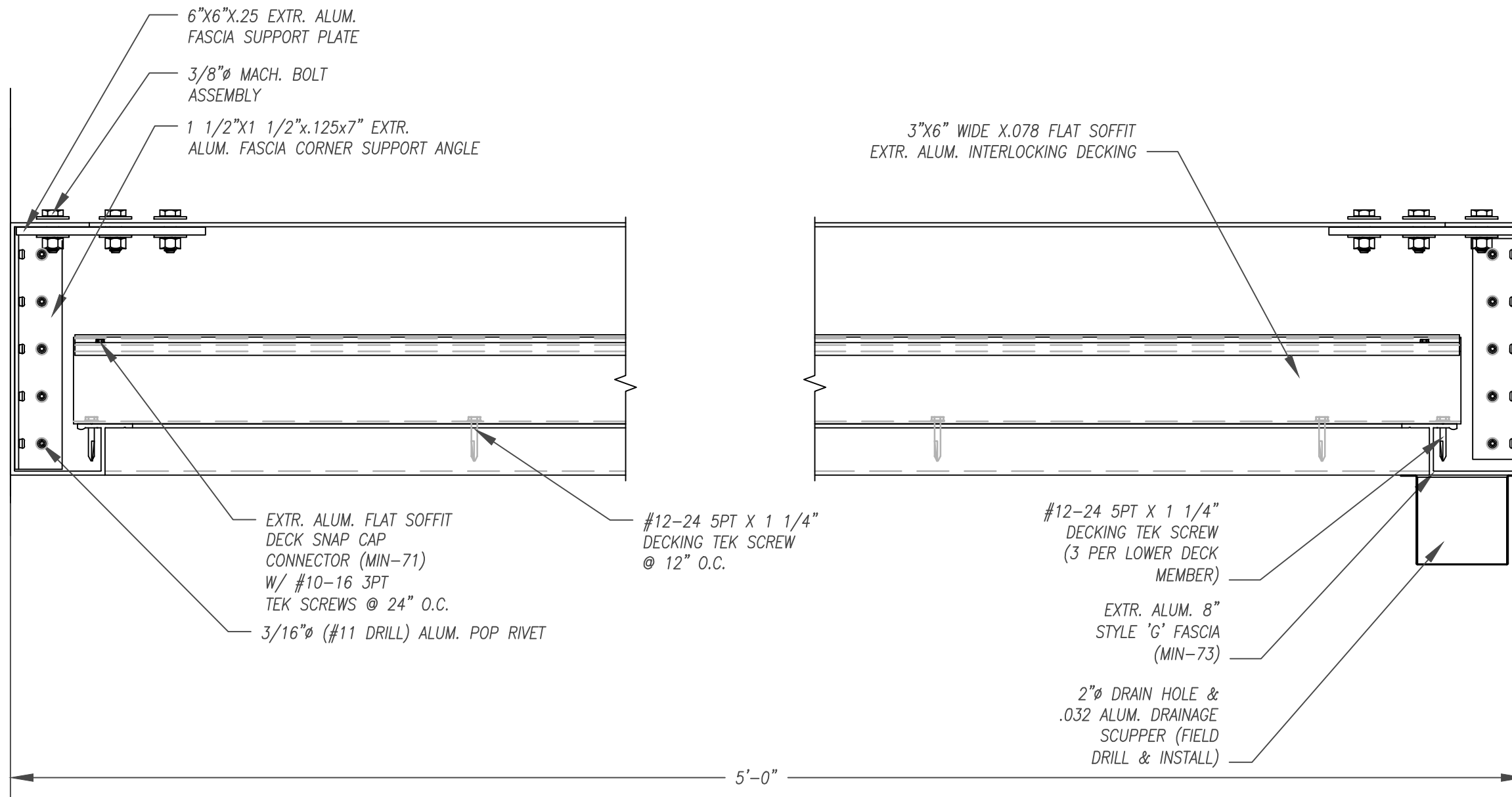
sheet:

05

May. 19, 14

1 1/2" = 1'-0"

of 8



BB SECTION @ END CANOPY
Scale: 3" = 1'-0"

Canopy Type:

Architect:

| | | |
|--|--|--|
| | | |
| | | |
| | | |

Drawn:

Mapes Architectural Canopies

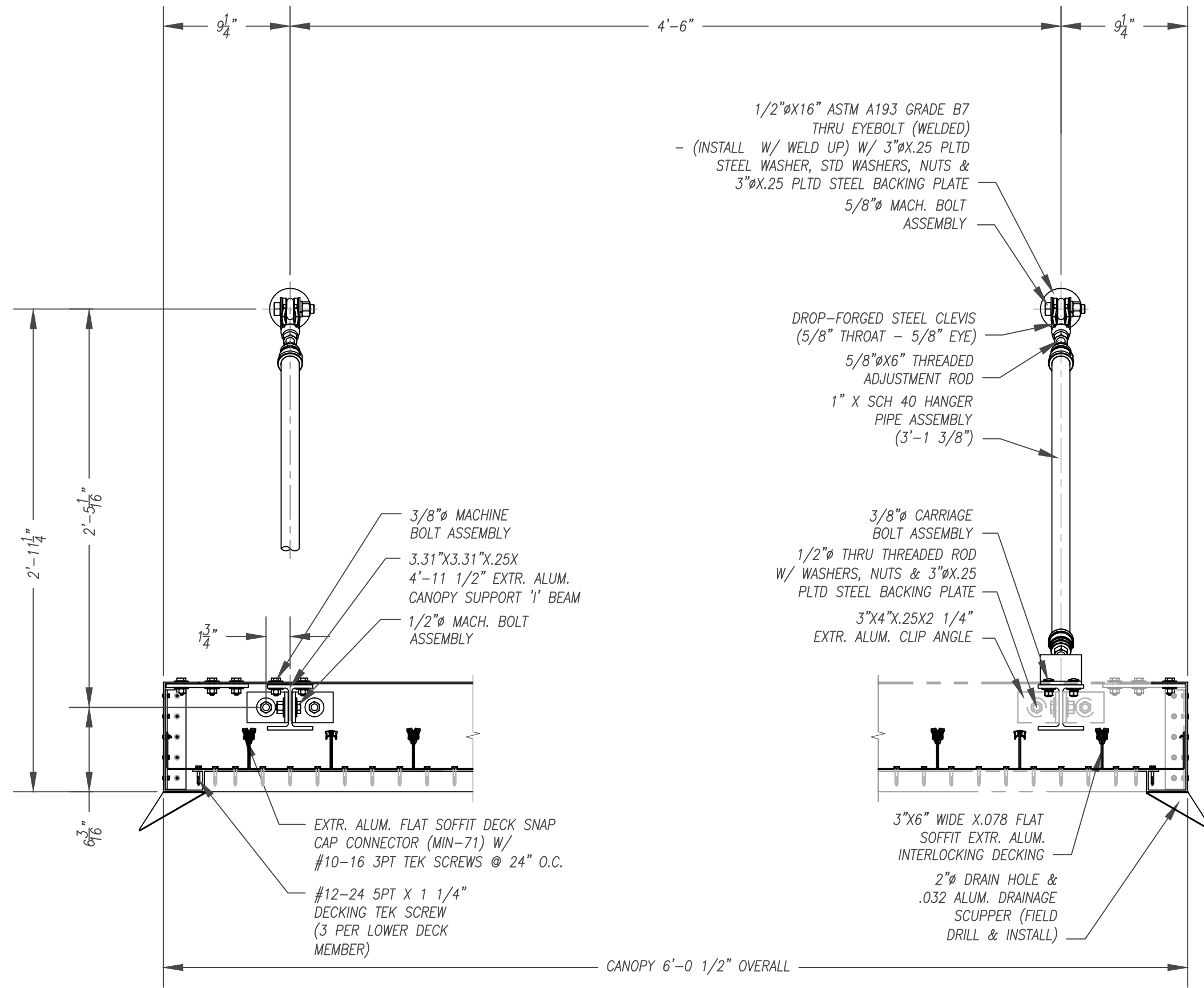
7748 N. 56th St.
Lincoln, NE. 68514-9724
Ph: (888) 273-1132
Fx: (877) 455-6572
email: cad@mapes.com

Proposed for:
()

Job Name:
FLAT SOFFIT SUPER LUMIDECK HANGER ROD CANOPY /

PO # dtd
MQ # Rep:

| | |
|-------------|--------|
| | sheet: |
| May. 19, 14 | 06 |
| 3" = 1'-0" | of 8 |



CC **TRANSVERSE SECTION**
Scale: 1 1/2" = 1'-0"

Canopy Type:

Architect:

| | | |
|--|--|--|
| | | |
| | | |
| | | |

Drawn:

Mapes Architectural Canopies

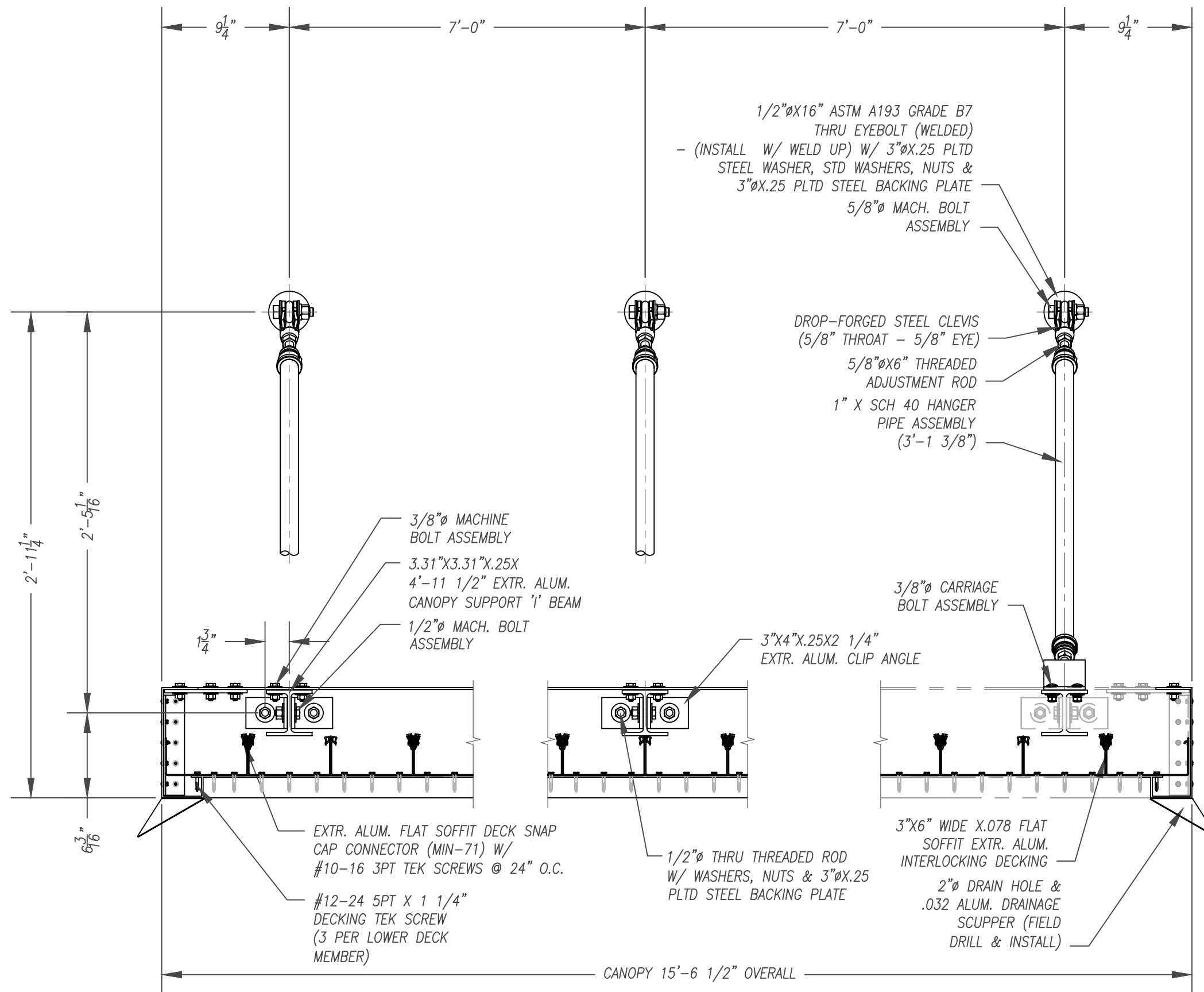
7748 N. 56th St.
Lincoln, NE. 68514-9724
Ph: (888) 273-1132
Fx: (877) 455-6572
email: cad@mapes.com

Proposed for:
()

Job Name:
FLAT SOFFIT SUPER LUMIDECK HANGER ROD CANOPY /

PO # dtd Rep:
MQ #

| | |
|----------------|--------|
| | sheet: |
| May. 19, 14 | 07 |
| 1 1/2" = 1'-0" | of 8 |



DD **TRANSVERSE SECTION**
 Scale: 1 1/2" = 1'-0"

Canopy Type:

Architect:

| | | |
|--|--|--|
| | | |
| | | |
| | | |

Drawn:

Mapes Architectural Canopies

7748 N. 56th St.
 Lincoln, NE. 68514-9724
 Ph: (888) 273-1132
 Fx: (877) 455-6572
 email: cad@mapes.com

Proposed for:
 ()

Job Name:
 FLAT SOFFIT SUPER LUMIDECK HANGER ROD CANOPY /

PO # dtd
 MQ # Rep:

| | |
|----------------|--------|
| | sheet: |
| May. 19, 14 | 08 |
| 1 1/2" = 1'-0" | of 8 |