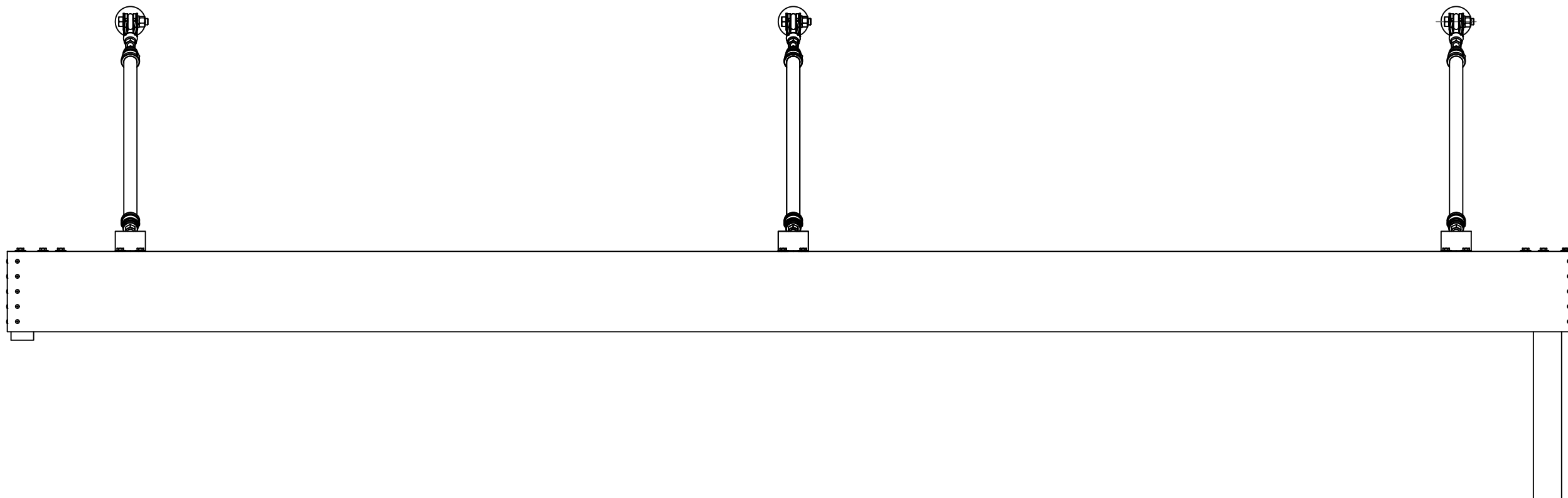


M#### - SUPER LUMIDECK HANGER ROD CANOPY / FLAT SOFFIT (PERP)

MAPES CANOPIES / LINCOLN, NE



Canopy Type:

Architect:

Drawn:	12/3/2019	BJW

Mapes
Architectural
Canopies

7748 N. 56th St.
Lincoln, NE. 68514-9724
Ph: (888) 273-1132
Fx: (877) 455-6572
email: cad@mapes.com

Proposed for:
MAPES CANOPIES ()
LINCOLN, NE

Job Name:
SUPER LUMIDECK HANGER
ROD CANOPY / FLAT SOFFIT
(PERP)

PO # dtd
MQ # Rep:

M####	sheet: 01
	of 6

General Notes:

1. MAPES ARCHITECTURAL CANOPIES REQUIRES ONE (1) SET OF CORRECTED DRAWINGS TO REVISE APPROVAL DRAWINGS, OR AN APPROVED SET OF DRAWINGS IN ORDER TO FABRICATE ORDER
2. ORDERS REQUIRING ENGINEERING WILL "ONLY" BE FABRICATED "AFTER" DRAWINGS ARE APPROVED
3. VERIFY ALL CANOPY AND FIELD DIMENSIONS PRIOR TO RELEASING FOR FABRICATION
4. ALL ORDERS NOT APPROVED FOR PRODUCTION WITHIN 90 DAYS OF PURCHASE ORDER ARE SUBJECT TO A REVIEW OF PRICING
5. ALL FASTENER HOLES NOT OTHERWISE NOTED ARE TO BE FIELD DRILLED
6. ALL FASTENERS NOT OTHERWISE NOTED ARE STAINLESS STEEL OR ALUMINUM
7. ADEQUACY OF WALL AND BUILDING STRUCTURE MUST BE CERTIFIED BY BUILDINGS ENGINEER OF RECORD
8. WALL SYSTEMS W/ EIFS, BRICK VENEER OR METAL PANEL EXTERIOR DESIGN TYPICALLY REQUIRE COMPRESSION SPACERS TO PREVENT CRUSHING, SUPPLIED BY MAPES
9. IF NEEDED, MAPES SUPPLIES 1026 DOM TUBING FOR COMPRESSION SPACERS. THE TUBING WILL BE SUPPLIED IN 24" LENGTHS TO BE CUT DOWN IN THE FIELD AS NEEDED. ENOUGH TUBING WILL BE SENT FOR 6" PER ANCHOR POINT UNLESS OTHERWISE NOTED. IT'S INTENT IS ONLY TO SPAN THROUGH ANY NON-STRUCTURAL EXTERIOR CLADDING.
10. MAPES SUPPLIES ALL HARDWARE NEEDED TO ANCHOR CANOPY TO STRUCTURE. ALL STRUCTURE BEARING LOAD OF CANOPY ANCHORS IS TO BE DESIGNED, ENGINEERED, AND SUPPLIED BY OTHERS.

Project Notes:

1. SUPER LUMIDECK CANOPY
2. 1" HANGER PIPE
3. FLAT SOFFIT DECKING (PERP)
4. 8" FASCIA
5. FASCIA DRAIN W/ DRAIN STUBS / REAR DRAINAGE W/ DOWNSPOUT

<i>Drawing Schedule</i>	
<i>Page #</i>	<i>Description</i>
01	Cover
02	General Information
03	Canopy Plan
04	Section AA
05	Section BB
06	Section CC

Design Notes:

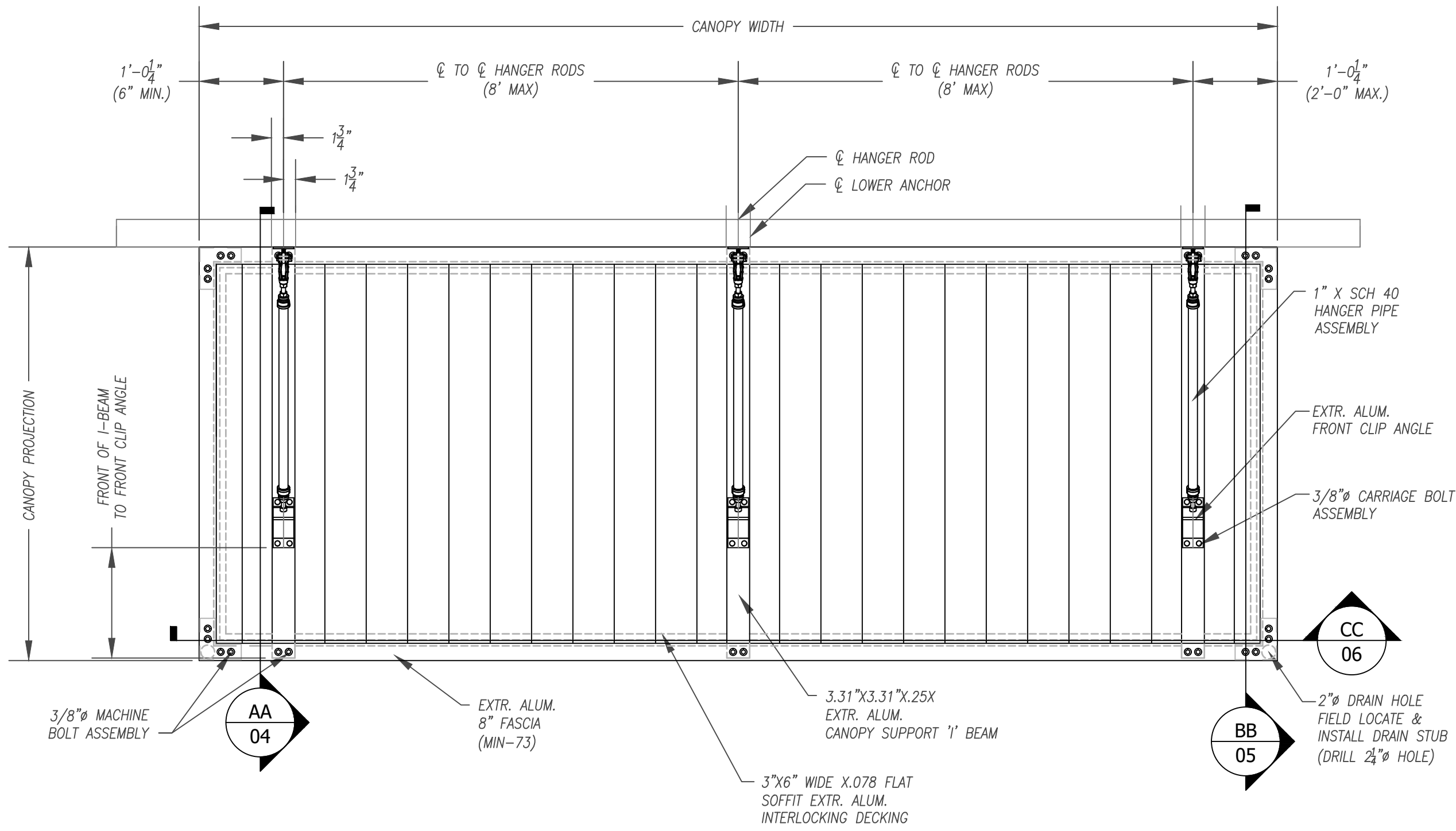
1. FINISH SHALL BE BRONZE BAKED ENAMEL, WHITE BAKED ENAMEL OR CLEAR ANODIZED
2. FINISH SHALL BE POWDER COAT
3. FINISH SHALL BE TWO COAT KYNAR
4. COLOR SHALL BE CHOSEN FROM MAPES STD SMOOTH COLOR CHART
5. COUNTER FLASHING AND SEALANT, BY CANOPY INSTALLER
6. SURROUND WALL ANCHORS WITH WATER TIGHT SEALANT
7. EMBED ALL WALL ANCHOR WASHERS IN SEALANT TO PROVIDE WATERTIGHT SEAL AT WALL
8. TO ENSURE PROPER DRAINAGE, INSTALL CANOPY WITH POSITIVE CAMBER
9. FASCIA DRAIN W/ DRAIN STUBS / REAR DRAINAGE W/ DOWNSPOUT

<i>Canopy Type:</i>		
<i>Architect:</i>		
<i>Drawn:</i>		

Mapes Architectural Canopies

7748 N. 56th St.
 Lincoln, NE. 68514-9724
 Ph: (888) 273-1132
 Fx: (877) 455-6572
 email: cad@mapes.com

<i>Proposed for:</i> MAPES CANOPIES () LINCOLN, NE	
<i>Job Name:</i> SUPER LUMIDECK HANGER ROD CANOPY / FLAT SOFFIT (PERP)	
<i>PO #</i>	<i>dtd</i>
<i>MQ #</i>	<i>Rep:</i>
	<i>sheet:</i>
	02
	<i>of</i>
	6



1 CANOPY PLAN
Scale: 3/4" = 1'-0"

Canopy Type:

Architect:

Drawn: 12/3/2019 BJW

Mapes Architectural Canopies

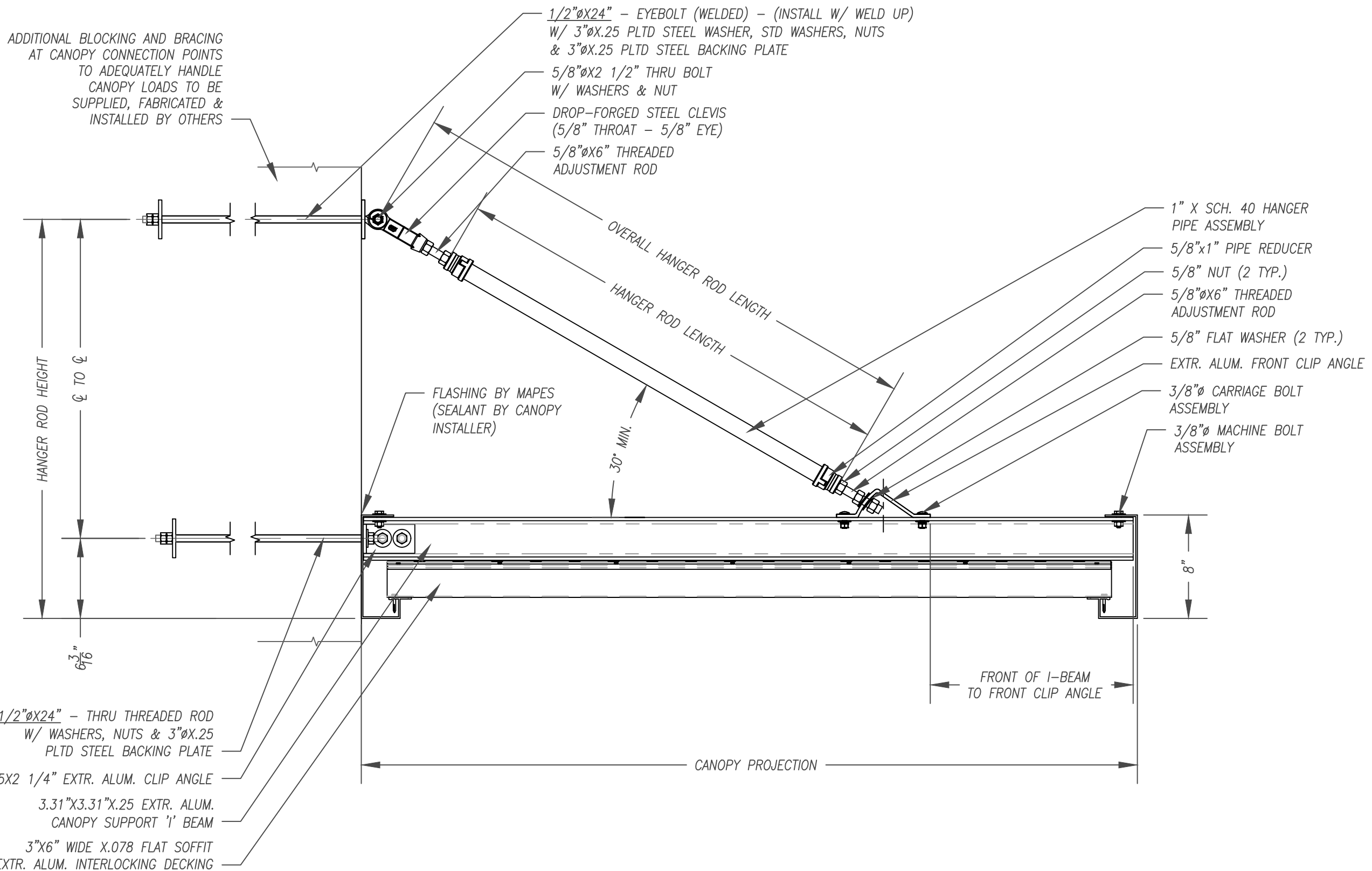
7748 N. 56th St.
Lincoln, NE. 68514-9724
Ph: (888) 273-1132
Fx: (877) 455-6572
email: cad@mapes.com

Proposed for:
MAPES CANOPIES ()
LINCOLN, NE

Job Name:
SUPER LUMIDECK HANGER
ROD CANOPY / FLAT SOFFIT
(PERP)

PO # dtd
MQ # Rep:

M####	sheet: 03
3/4" = 1'-0"	of 6



AA SECTION @ HANGER ROD
Scale: 1 1/2" = 1'-0"

Canopy Type:

Architect:

Drawn:	12/3/2019	BJW

Mapes Architectural Canopies

7748 N. 56th St.
Lincoln, NE. 68514-9724
Ph: (888) 273-1132
Fx: (877) 455-6572
email: cad@mapes.com

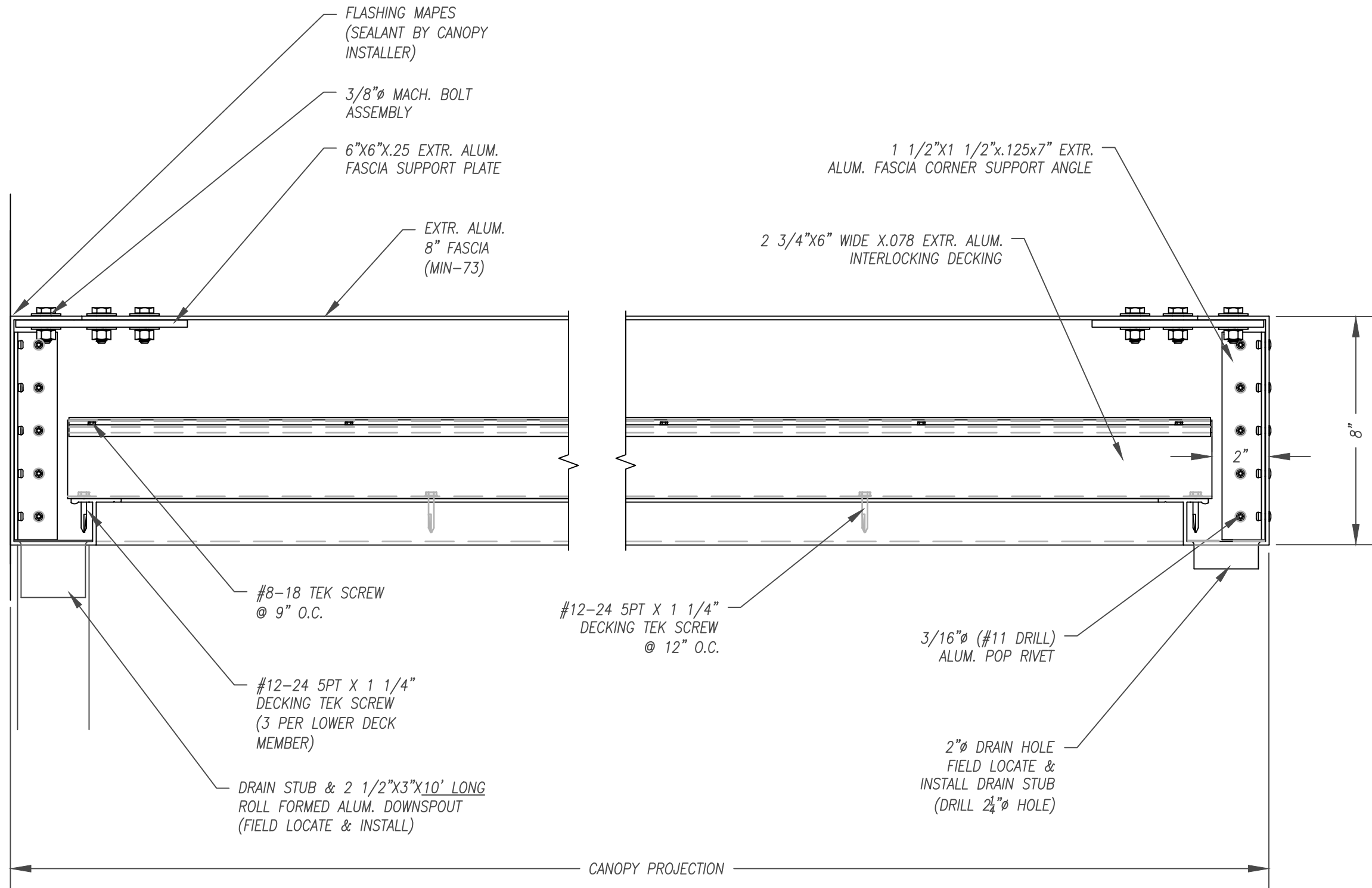
Proposed for:
MAPES CANOPIES ()
LINCOLN, NE

Job Name:
SUPER LUMIDECK HANGER
ROD CANOPY / FLAT SOFFIT
(PERP)

PO # dtd
MQ #

Rep:

M####	sheet: 04
1 1/2" = 1'-0"	of 6



BB SECTION @ END CANOPY
Scale: 3" = 1'-0"

Canopy Type:

Architect:

Drawn:	12/3/2019	BJW

**Mapes
Architectural
Canopies**

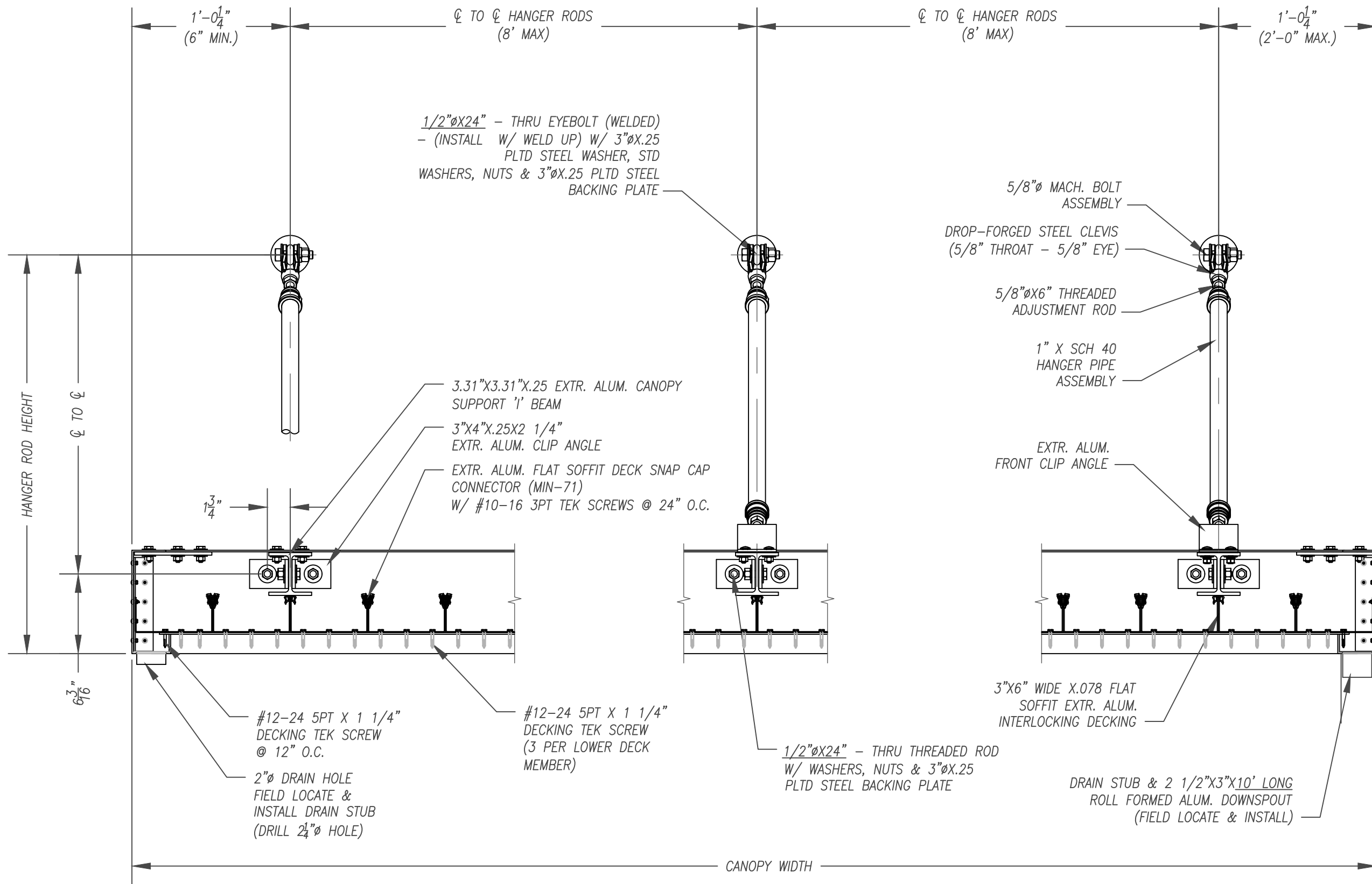
7748 N. 56th St.
Lincoln, NE. 68514-9724
Ph: (888) 273-1132
Fx: (877) 455-6572
email: cad@mapes.com

Proposed for:
MAPES CANOPIES ()
LINCOLN, NE

Job Name:
SUPER LUMIDECK HANGER
ROD CANOPY / FLAT SOFFIT
(PERP)

PO # dtd
MQ # Rep:

M####	sheet: 05
3" = 1'-0"	of 6



CC TRANSVERSE SECTION
Scale: 1 1/2" = 1'-0"

Canopy Type:

Architect:

Drawn:	12/3/2019	BJW

Mapes Architectural Canopies

7748 N. 56th St.
Lincoln, NE. 68514-9724
Ph: (888) 273-1132
Fx: (877) 455-6572
email: cad@mapes.com

Proposed for:
MAPES CANOPIES ()
LINCOLN, NE

Job Name:
SUPER LUMIDECK HANGER
ROD CANOPY / FLAT SOFFIT
(PERP)

PO # dtd
MQ #

Rep:

M####	sheet: 06
1 1/2" = 1'-0"	of 6